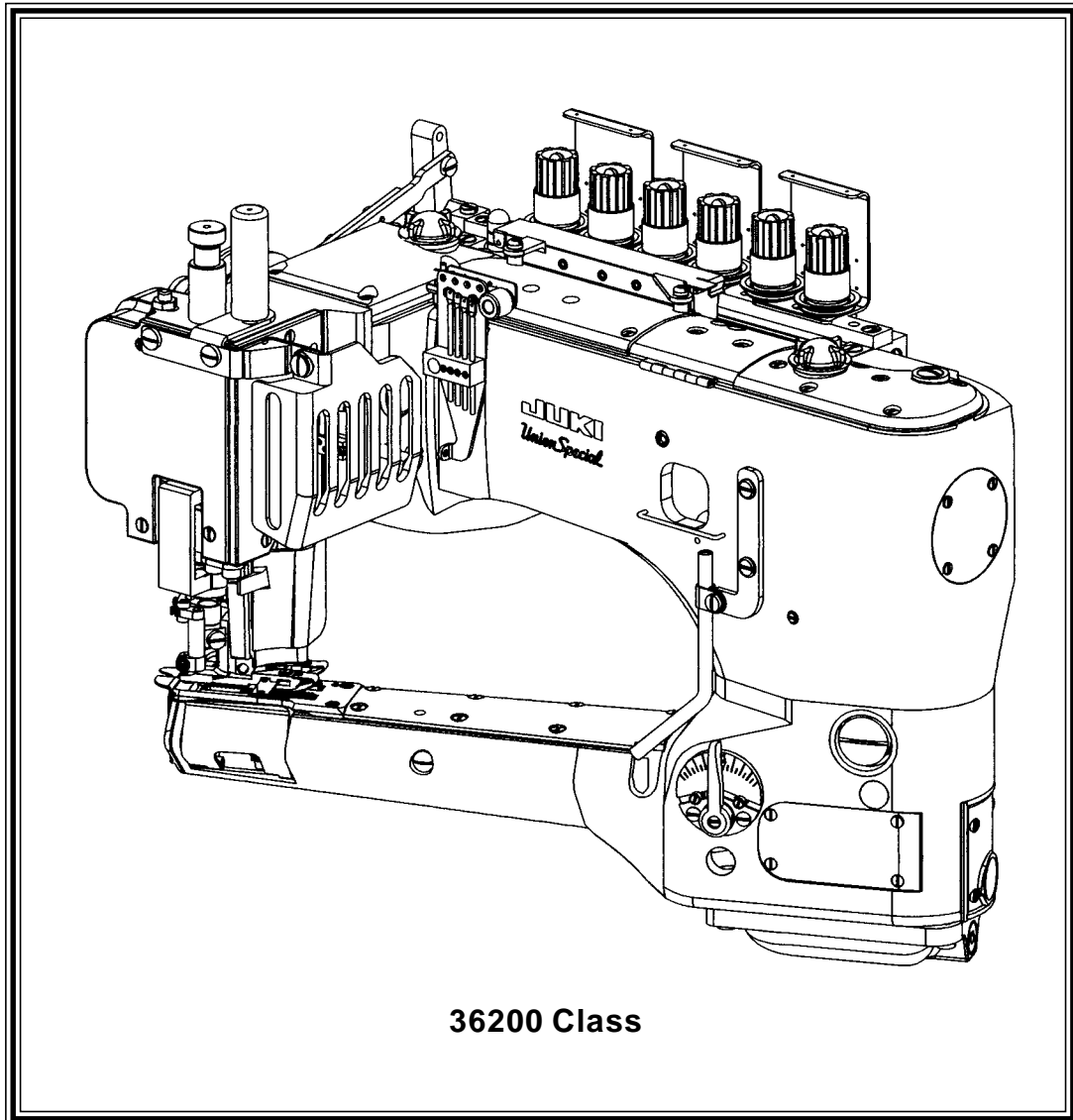




# JUKI

## *Union Special*

### ADJUSTING INSTRUCTIONS / ILLUSTRATED PARTS LIST



**3620 Class**

**MANUAL NO. PT0106  
FOR STYLES**

|            |            |           |
|------------|------------|-----------|
| 36200UA52  | 36200UH52  | 36200UX60 |
| 36200UAE52 | 36200UJ60  | 36200UY52 |
| 36200UAK52 | 36200UJE60 | 36200UY60 |
| 36200UE52  | 36200UM60  |           |
| 36200UE60  | 36200UX52  |           |

# Manual No. PT0106 Illustrated Parts List for 36200 Series Machines

---

---

Second Edition Copyright 2002

By

Union Special Corporation Rights Reserved In All Countries

Printed in U.S.A. May 2002

---

---

## PREFACE

This parts manual has been prepared to assist you in locating individual parts or assemblies on 36200 Series machines.

It is the desire of Union Special that each machine run at its optimum performance. Parts listed in this manual are designed specifically for your machine and are manufactured with utmost precision to assure long lasting service.

This manual has been comprised on the basis of available information. Changes in design and/or improvements may incorporate a slight modification of configuration in illustrations or part numbers.

On the following pages are illustrations and terminology used in describing the parts used on 36200 Series machines.

---

---

## TERMS

Prices are net cash and subject to change without notice. All shipments are forwarded F.O.B. shipping point. A charge is made to cover postage and insurance.

## CONTENTS

|  |    |
|--|----|
| PREFACE .....  | 2  |
| TERMS .....  | 2  |
| IDENTIFICATION OF MACHINES .....                         | 3  |
| TORQUE REQUIREMENTS .....                                | 3  |
| DESCRIPTION OF MACHINES .....                            | 3  |
| STYLE OF MACHINES .....                                  | 4  |
| SAFETY RULES: .....                                      | 5  |
| IDENTIFYING PARTS .....                                  | 6  |
| NEEDLES .....  | 6  |
| APPLICATION .....  | 6  |
| Threading .....  | 7  |
| Oiling .....   | 8  |
| ADJUSTING INSTRUCTIONS .....                             | 9  |
| SETTING THE NEEDLE BAR HEIGHT & ALIGNMENT .....          | 9  |
| SETTING THE NEEDLE BAR HEIGHT & ALIGNMENT (CONT) .....   | 10 |
| ALIGNING THE CYLINDER .....                              | 10 |
| SETTING THE LOOPER TRAVEL .....                          | 10 |
| INSTRUCTIONS FOR USING SYNCHRONIZING GAUGE 21277CG ..... | 11 |
| SETTING THE LOOPER TRAVEL .....                          | 11 |
| TIMING THE NEEDLES TO THE LOOPER .....                   | 11 |
| TIMING THE NEEDLES TO THE LOOPER (CONT.) .....           | 12 |
| LOOPER ADJUSTMENTS .....                                 | 13 |
| LOOPER ADJUSTMENTS (CONT.) .....                         | 14 |
| SETTING THE FRONT NEEDLE GUARD .....                     | 14 |
| SETTING THE FEED DOGS .....                              | 14 |
| SETTING THE REAR NEEDLE GUARD .....                      | 15 |
| SETTING THE STITCH LENGTH .....                          | 15 |
| DIFFERENTIAL FEED CONTROL .....                          | 15 |

## CONTENTS (CONT.)

|  |    |
|--|----|
| SETTING THE PRESSER FOOT .....   | 15 |
| SETTING THE PRESSER FOOT (CONT.) .....   | 16 |
| SETTING THE PRESSER FOOT (CONT.) .....   | 17 |
| SETTING THE KNIFE DRIVE LEVER .....  | 17 |
| SETTING THE KNIFE DRIVE LEVER (CONT.) .....  | 18 |
| SETTING THE TRIMMING KNIVES FOR BUTT SEAMING (STYLES 36200UA52, UAE52, UAK52, UJ60, UJE60, UX52, UX60) .....     | 18 |
| SETTING THE TRIMMING KNIVES FOR LAP SEAMING (STYLES 36200UH52, UAE52, UE52, UE60, UJE60, UM60, UY52, UY60) ..... | 18 |
| SETTING THE TRIMMING KNIVES (ALL STYLES) .....   | 18 |
| SETTING THE TRIMMING KNIVES (ALL STYLES) (CONT.) .....   | 19 |
| NEEDLE THREAD ADJUSTMENTS .....  | 19 |
| LOOPER THREAD ADJUSTMENT .....   | 20 |
| COVER THREAD ADJUSTMENT .....  | 20 |
| TENSION RELEASE .....  | 20 |
| HUNG FOOT ADJUSTMENT .....   | 21 |
| SETTING THE LAP FORMER (STYLES 36200UAE52, UE52, UE60, UH52, UJE60, UM60, UY52, UY60) .....                      | 21 |
| LAP SEAMING .....  | 21 |
| OIL SIGHT GAUGES, TOP COVERS & MISCELLANEOUS TAKEUP & EYELET PARTS .....   | 23 |
| MAIN FRAME, BUSHINGS & MISCELLANEOUS EYELET & COVER PARTS .....  | 25 |
| MAIN SHAFT & MISCELLANEOUS OILING .....  | 27 |
| CRANKSHAFT & NEEDLE LEVER PARTS .....  | 29 |
| TENSION PARTS .....  | 31 |
| DETACHABLE HEAD, HEAD COVERS, NEEDLE BAR & NEEDLE BAR HEAD .....   | 33 |
| DETACHABLE HEAD, HEAD COVERS, NEEDLE BAR & NEEDLE BAR HEAD (CONT.) .....   | 35 |
| DIFFERENTIAL & MAIN FEED BARS, FEED DOGS & FEED LIFT ECCENTRIC ASSEMBLY .....                                    | 37 |
| FEED DRIVE ASSEMBLY, FEED ROCKER & LOOPER AVOID PARTS .....  | 39 |
| KNIFE DRIVING PARTS .....  | 41 |
| LOOPER ROCKER SHAFT & LOOPER ROCKER DRIVE PARTS .....  | 43 |
| LAP FORMER, MISCELLANEOUS CYLINDER COVERS, THROAT PLATE, & CHAIN CUTTING KNIFE .....                             | 45 |
| CYLINDER BUSHINGS, DIFFERENTIAL FEED CONTROL ASSEMBLY & MISCELLANEOUS CYLINDER COVERS .....                      | 47 |
| PRESSER FEET .....   | 49 |
| PRESSER FEET .....   | 51 |
| PRESSER FOOT .....   | 53 |
| PRESSER FOOT SHOE CHART .....  | 54 |
| PRESSER FOOT SHOE CHART .....  | 55 |
| THREAD STAND .....   | 57 |
| MISCELLANEOUS GAUGES & TAPER REEL PARTS .....  | 59 |
| THREAD LUBRICATOR .....  | 61 |
| NUMERICAL INDEX OF PARTS .....   | 62 |
| NUMERICAL INDEX OF PARTS .....   | 63 |

## IDENTIFICATION OF MACHINES

Each UNION SPECIAL machine is identified by a style number, which is stamped into the style plate affixed to the middle of the machine under the tension assembly.

The serial number is stamped in the casting at the right rear base of the machine.

## TORQUE REQUIREMENTS

Torque (measured in inch-pounds) is a rotating force (in pounds applied through a distance by a lever (in inches or feet). This is accomplished by a wrench, screwdriver, etc. Many of these devices are available, which when set at the proper amount of torque will tighten the part to the correct amount and no tighter.

All straps and eccentrics should be tightened to 19-21 inch-pounds (22-24cm/kg) unless otherwise noted.  
All other nuts, bolts, screws, etc. should be tightened by hand as tightly as possible, unless otherwise noted.

## DESCRIPTION OF MACHINES

Universal style, Feed-off-the-arm, high speed, medium throw, five or six thread machine. There are four needles and one retainer abreast, one looper and a manually adjusted differential feed control. There is an enclosed automatic lubricating system, filter type oil return pump, visual sight oil action and supply gauges. The maximum work space in front of the needles is 8 inches (203.2mm). Recommended maximum speed - 4200 R.P.M. for all Styles. Machines can be used on either table or pedestal mount.

## STYLEOFMACHINES

- 36200UA52 **FLATSEAMER:** For simultaneously trimming right and left plies and flatseaming knit undergarments, infants clothing and similar light to medium weight materials where closing elastic is required. Seam specifications 607-FSa-1. Components produce a .205" (5.2mm) wide seam.
- 36200UAE52 **FLATSEAMER AND LAP FLATSEAMER:** Same as 36200UJE60 except fitted with components to produce a .205" (5.2mm) wide seam.
- 36200UAK52 **LAP FLATSEAMER:** For trimming right ply only and lapseaming knit undergarments, infants clothing and similar light to medium weight materials where closing elastic is required. Seam specifications 607-LSa-1. Components produce a .205" (5.2mm) wide seam.
- 36200UE52 **LAP FLATSEAMER:** For simultaneously trimming right and left plies and lap seaming men's and woman's briefs, undergarments, sweatpants, sweatshirts, infant sleepers and similar garments. Flat sewing parts with lap seam presser foot and lapformer. Seam specifications 607LSa-1. Components produce a .205"(5.2mm) wide seam.
- 36200UE60 **LAP FLATSEAMER:** Same as 36200UE52 except fitted with components to produce a .236" (6.0mm) wide seam.
- 36200UH52 **LAPFLATSEAMER:** For simultaneously trimming right and left plies and lapseaming men's briefs shorts, and similar garments made of light to medium weight material where crossing elastic and heavy seams, such as leg bindings is necessary. The right section of the sewing parts are raised .050" (1.27mm) to assure a better lap seam. Seam specifications 607-LSa-1. Components produce a .205" (5.2mm) wide seam.
- 36200UJ60 **FLATSEAMER:** Same as 36200UA52 except fitted with components to produce a .236" (6.0mm) wide seam.
- 36200UJE60 **FLATSEAMER:** For simultaneously trimming right and left plies and flatseaming knit undergarments, infants clothing and similar light to medium weight materials where closing elastic is required. Seam specifications 607-FSa-1.  
**LAPFLATSEAMER:** For simultaneously trimming right and left plies and lapseaming men's briefs shorts, and similar garments made of light to medium weight material where crossing elastic and heavy seams, such as leg bindings is necessary. Seam specifications 607-LSa-1. (Machine includes sewing parts to sew both FSa-1 Flat (butt) seam and LSa-1 Lap seam.) Components produce a .236" (6.0mm) wide seam.
- 36200UM60 **LAP FLATSEAMER:** Same as 36200UH52 except fitted with components to produce a .236" (6mm) wide seam.
- 36200UX52 **TAPSEAMER:** Simultaneously trims right and left plies, joins and tapes the front of knit briefs in one operation. Fitted with a taping foot without coverthread that has the tape slot in front of the needle hole and folder that takes a 3/4" (19.0mm) knitted strip, cut with the wale, to produce a 7/16" (11.1mm) wide finished tape. Seam specifications 607(mod)-LSz-1(mod). Seam width is .205" (5.2mm).
- 36200UX60 **TAPE SEAMER:** Same as 36200UX52 except fitted with components to produce a .236" (6.0mm) wide seam.
- 36200UY52 **LAPFLATSEAMER:** For simultaneously trimming right and left plies and lapseaming operations on the leg openings of knitted boxer style briefs using wide knitted callerette material. Flat sewing parts with special lap seam presser foot and special lap former. Fitted with special thread bracket, long feed dogs, " T" shaped yielding section with light weight spring, light presser bar spring and wear plates on presser foot. Seam specifications 607LSa-1. Components produce a .205(5.2mm) wide seam.
- 36200UY60 **LAP FLATSEAMER:** Same as 36200UY52 except fitted with components to produce a .236" (6.0mm) wide seam.

## SAFETYRULES:

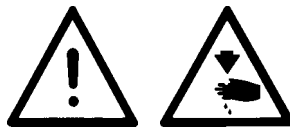
1. Before putting the machines described in this manual into service, carefully read the instructions. The starting of each machine is only permitted after taking notice of the instructions and by qualified operators.

**IMPORTANT! Before putting the machine into service, also read the safety rules and instructions from the motor supplier.**

2. Observe the national safety rules valid for your country.
3. The sewing machines described in this instruction manual are prohibited from being put into service until it has been ascertained that the sewing units which these sewing machines will be built into, have conformed with the EC Council Directives (89/392/EEC, Annex II B).

Each machine is only allowed to be used as foreseen. The foreseen use of the particular machine is described in paragraph "STYLES OF MACHINES" of this instruction manual. Another use, going beyond the description, is not as foreseen.

4. All safety devices must be in position when the machine is ready for work or in operation. Operation of the machine without the appertaining safety devices is prohibited.
5. Wear safety glasses.
6. In case of machine conversions and changes all valid safety rules must be considered. Conversions and changes are made at your own risk.
7. The warning hints in the instructions are marked with one of these two symbols:



8. When doing the following the machine has to be disconnected from the power supply by turning off the main switch or by pulling out the main plug:
  - 8.1 When threading needle(s), looper, spreader etc.
  - 8.2 When replacing any parts such as needle(s), presser foot, throat plate, looper, spreader, feed dog, needle guard, folder, fabric guide etc.
  - 8.3 When leaving the workplace and when the workplace is unattended.
  - 8.4 When doing maintenance work.
  - 8.5 When using clutch motors without actuation lock, wait until the motor is stopped totally.
9. Maintenance, repair and conversion work (see item 8) must be done only by trained technicians or special skilled personnel under consideration of the instructions.
10. Any work on the electrical equipment must be done by an electrician or under direction and supervision of special skilled personnel.
11. Work on parts and equipment under electrical power is not permitted. Permissible exceptions are described in the applicable sections of standard sheet DIN VDE 0105.
12. Before doing maintenance and repair work on the pneumatic equipment, the machine has to be disconnected from the compressed air supply. In case of existing residual air pressure, after disconnecting from compressed air supply (i.e. pneumatic equipment with air tank), the pressure has to be removed by bleeding.

## ILLUSTRATIONS

This manual has been arranged to simplify ordering repair parts. Exploded views of various sections of the mechanism are shown so that the parts may be seen in their actual position in the machine. On the page opposite the illustration will be found a listing of the parts with their part numbers, description and the number of pieces required in the particular view being shown.

Numbers in the first column are reference numbers only, and merely indicate the position of the part in the illustration. The reference number should never be used in ordering parts. Always use the part number listed in the second column.

Component parts of sub-assemblies which can be furnished for repairs are indicated by indenting their descriptions under the description of the main sub-assembly. As an example refer to the following text.

|     |          |   |   |
|-----|----------|---|---|
| 9.  | 29126 EC | Upper Looper Drive Shaft Assembly ..... | 1 |
| 10. | 22503 F  | Screw .....                             | 1 |
| 11. | 39543 E  | Cam Follower Locking Clamp .....        | 1 |

It will be noted in the previous example that the cam follower, bushing and cam guide and the upper looper drive shaft are not listed. The reason is that replacement of these parts individually is not recommended, so the complete upper looper drive shaft assembly should be ordered.

When a part is common to all machines covered in this manual, no specific usage will be mentioned in the description. However, when the parts for the various machines are not the same, the specific usage will be mentioned in the description and, if necessary, the difference will be shown in the illustration.

A numerical index of all the parts shown in this manual is located at the back. This will facilitate locating the illustration and description when only a part number is known.

## IDENTIFYING PARTS

Where the construction permits, each part is stamped with its part number. On some of the smaller parts and on those where construction does not permit, an identification letter is stamped in to distinguish the part from similar ones.

**PLEASE NOTE:** Part numbers represent the same part, regardless of which manual they appear. On all orders please include part number, name and style of machine for which the part was ordered.

## NEEDLES

Each needle has both a type and size number. The type number denotes the kind of shank, point, length, groove, finish and other details. The size number, stamped on the needle shank, denotes the largest diameter of the blade measured between the shank and the eye. Collectively, the type number and size number represent the complete symbol which is given on the label of all needles packed and sold by Union Special.

| <u>TYPE</u> | <u>DESCRIPTION</u>   |
|-------------|--|
| 118GAS      | Extra short, double groove, struck groove, .060" diameter shank, chromium plated needle.<br>Sizes available 065/025, 070/027, 075/029, 080/032, 090/036. |
| 118GBS      | Extra short, single groove, struck groove, spotted .060" diameter shank, chromium plated needle.<br>Sizes available 075/029, 080/032.                    |
| 118GHS      | Same as 118GBS, except with ball point. Sizes available 070/027, 075/029, 080/032.   |
| 118GJS      | Same as 118GHS, except with tapered blade and ball point. Sizes available 065/025, 070/027, 075/029.   |
| 118GKS      | Round shank, round point, extra short, double groove, struck groove, spotted, chromium plated needle.<br>Sizes available 070/027, 075/029, 080/032.      |
| 36211       | Retainer needle, no scarf, chromium plated. Sizes available 065/025, 070/027, 075/029.   |

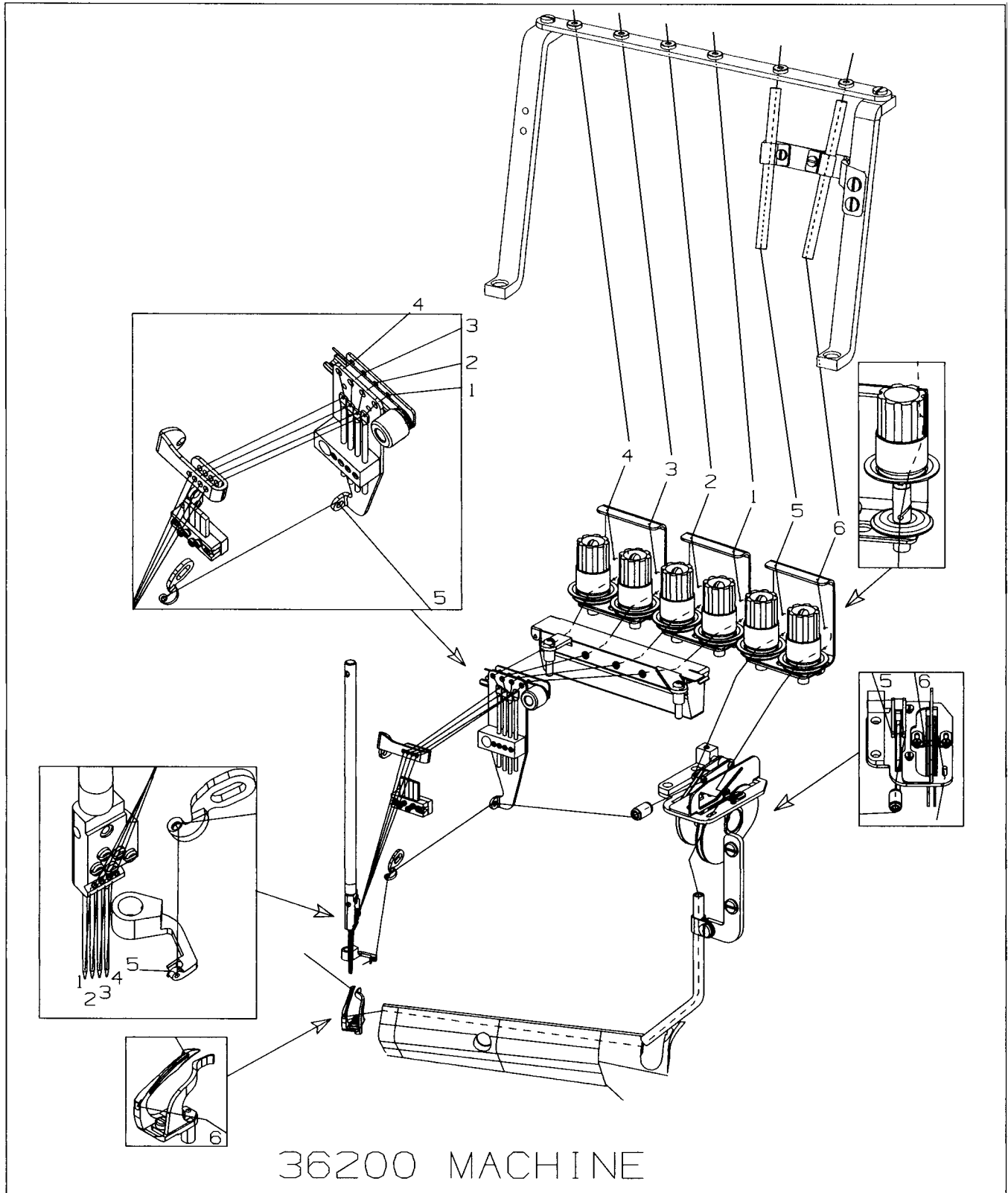
## APPLICATION

|        |         |  |
|--------|---------|--|
| 118GKS | 075/029 | Recommended for Styles: 36200UA52, UAE52, UE52, UE60, UH52, UJ60, UJE60, UM60, UY52, UY60. |
| 118GKS | 080/032 | Recommended for Styles: 36200UX52, UX60.   |
| 118GAS | 065/025 | Recommended for Style: 36200UAK52.   |

When changing the needle, make sure it is fully inserted in the needle driving arm before the clamp screw is tightened.

To have needles promptly and accurately filled, an empty package, a needle sample, or the type and size number should be forwarded. Use the description on the label. A complete order should read as follows: "100 needles, type 118 GKS, size 075/029".

# THREADING



## OILING

Referring to Fig. 1, fill the machine at (A) and (B). Oil capacity of class 36200 is 2.5 ounces in the bottom reservoir and 2.5 ounces in the top reservoir. Use a straight mineral oil, Saybolt viscosity of 90 to 125 seconds at 100° Fahrenheit. The oil level is checked at gauges (C) and (D). Maintain oil level between the red lines of these gauges.

This machine is automatically lubricated by a continuously driven rotary pump. Oil flow can be observed through windows (A) and (B). When installing a new machine or starting a machine that has been idle for some time, priming may be necessary. Remove plug screws (E), fill holes with recommended oil and replace screws **BEFORE** operating. If oil does not flow while machine is running, pump is inoperative.

Remove screw 22733B (F, Fig. 1 inset) to drain oil from the top reservoir. To drain oil from bottom reservoir remove screw 999-196 (G).

Occasionally, it is necessary to oil the linkage of the presser foot, the knife holder shank (36273A), guide collar (36273K) and the various links and bearings of the presser foot lifting mechanism and thread tension release.

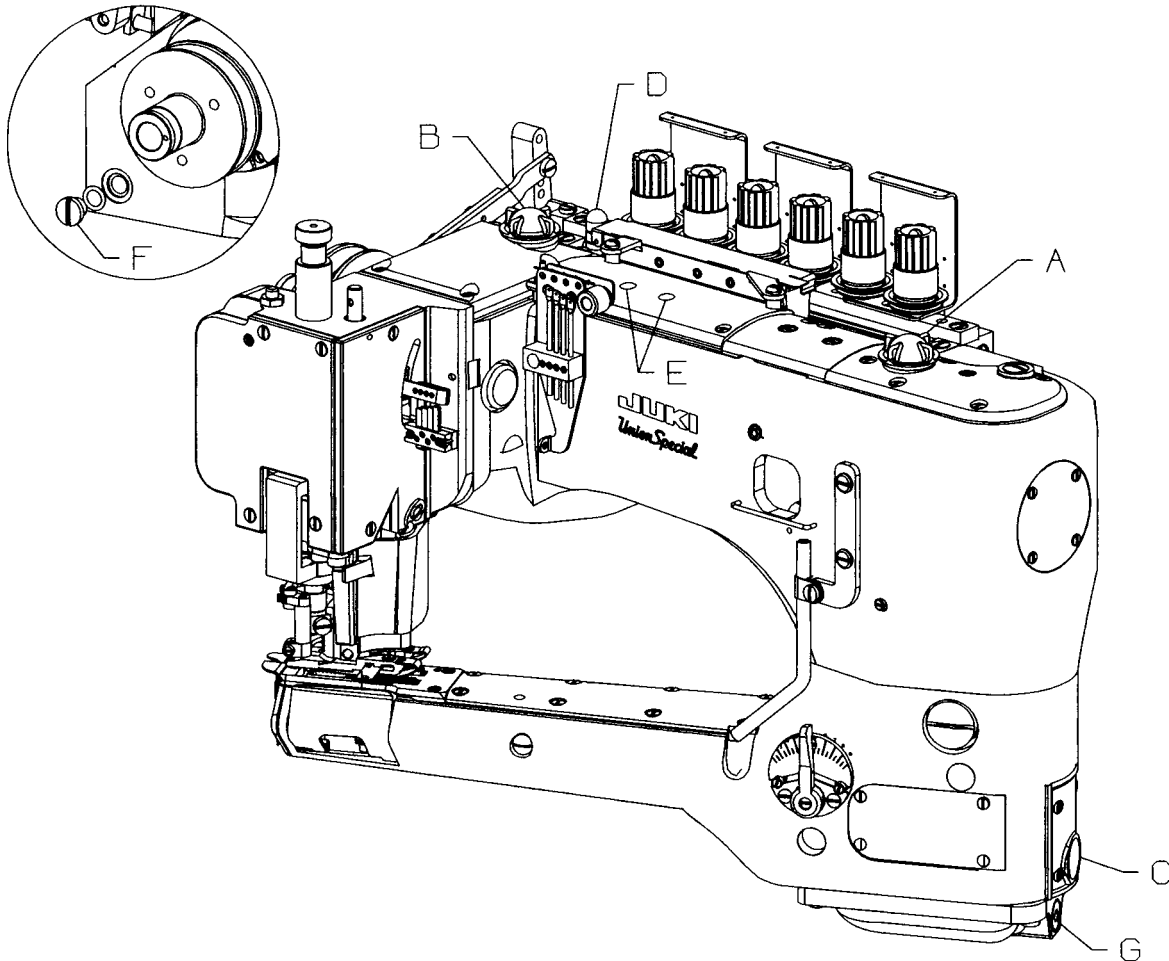


FIG. 1



## ADJUSTING INSTRUCTIONS

Instructions stating direction or location, such as right, left, front or rear of the machine are given relative to the operator's position at the machine unless otherwise noted. The handwheel rotates clockwise in operating direction.

### SETTING THE NEEDLE BAR HEIGHT & ALIGNMENT

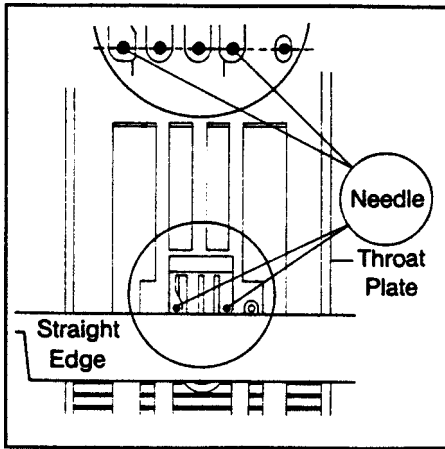


FIG. 2

Insert the first (left) and fourth needles into the needle head. The needles for this Class of machine are made with two flats on the front of the shank. This will enable you to correctly position the needles in the needle head. Make certain the needle shank is fully inserted and that the screw is seated firmly on the flat.

To position the needle head square with the throat plate, use the upper knife or a straight edge to align the needles with the cross grooves in the throat plate. (See Fig. 2)

Refer to table 1 for the dimension from the fourth (lowest) needle to the surface of the throat plate and for the number of the needle bar height gauge.

| STYLE                                      | DIMENSION FROM 4TH (LOWEST) NEEDLE TO THROAT PLATE SURFACE | NEEDLE BAR HEIGHT GAUGE NUMBER | NEEDLE HEIGHT GAUGE STEP MARKED |
|--|--|--------------------------------|---------------------------------|
| UA52, UAE52, UE52, UAK52, UH52, UX52, UY52 | 17/32" (13.5MM)  | 21227BU                        | .531                            |
| UE60, UJ60, UJE60, UM60, UX60, UY60        | 1/2" (12.7MM)  | 21227DS                        | .500                            |

TABLE 1

Position the needle bar at its highest point of travel. Loosen needle bar clamp screw (A, FIG.3) & use the specified needle bar height gauge (B) to achieve the desired height dimension from the fourth (lowest) needle (C) to the throat plate surface (D). Tighten clamp screw (A) and recheck setting. Care must be taken not to disturb the needle head alignment while making the adjustment. Add the two middle needles and the retainer.

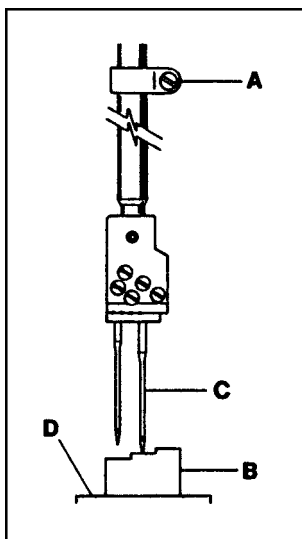


FIG. 3

**NOTE:** Styles 36200UH52 and 36200UM60 have a .050" (1.3mm) step on the right side of the throat plate. When setting the needle height measure from the left side or lowest part of the stepped plate.

**CAUTION:** If the needle head has been replaced it must be torqued to 17 in. lbs. (20cm/kg). Or until torque bar (21227AR), inserted into cross hole in the needle bar, bends. It will not seat against the bottom of the needle bar. After tightening, check for expansion of the needle bar by positioning it up into the lower bushing hole. If the bar has expanded it will bind in the bushing. The bar must be replaced or lapped to reduce the bell shape. Align and set needle bar height as described above.

## SETTING THE NEEDLE BAR HEIGHT & ALIGNMENT (CONT)

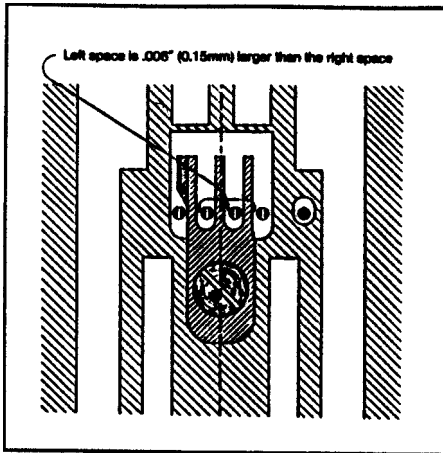


FIG. 4

Correct spacing of the needles in the throat plate stitch tongue is imperative to proper sewing conditions. Improper relationship of the needles to the stitch tongue often results in malformed stitches. When replacing the stitch tongue make sure needles are aligned properly (see Fig. 4).

If the stitch tongue and throat plate are properly seated and the needle position is not correct, the cylinder has probably been forced out of position. If realignment is necessary, refer to the section "Centering the Cylinder".

When the needles are correctly positioned in the throat plate the space to the left of the needles in the stitch tongue slot is .006" (0.15mm) more than the space to the right (see Fig. 4). Actually, the needle bar is centered to the throat plate and cylinder, however, to provide clearance on the left side of the needle for the needle loops passing around the looper during the down stroke of the needles, the slots in the stitch tongue are made off-center to the left. Accurate positioning of the needles may be obtained by repositioning the cylinder.

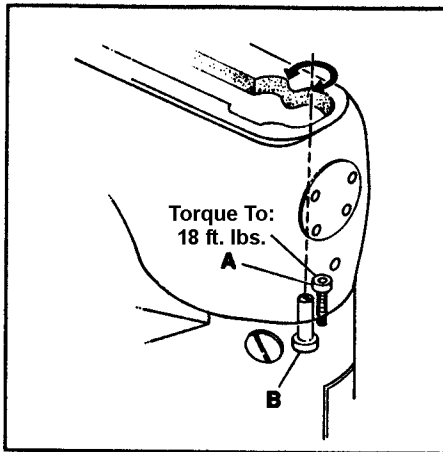


FIG. 5

### ALIGNING THE CYLINDER

Remove the top front cover and gasket from the main frame. Loosen cylinder holding screw (A, Fig. 5). Turn eccentric screw (B) clockwise to move the cylinder so the needles are closer to the right side of the stitch tongue. Turn the stud counterclockwise to locate the needles closer to the left. Tighten screw (A) and recheck settings.

**NOTE:** The cylinder may not move freely when the eccentric is turned because the joint sealant compound has set. Light tapping with a wooden block at the joint or midpoint of the arm may be necessary.

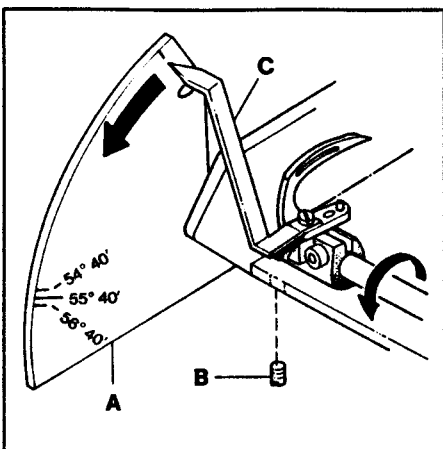


FIG. 6

### SETTING THE LOOPER TRAVEL

Attach looper travel gauge plate (A, Fig. 6) to the rear of the cylinder arm. Set the bottom of the gauge so it is approximately horizontal and lock lightly in place with screw (B) directly underneath. Attach looper travel gauge pointer (C) to the looper using the left needle guard screw hole. Turn the handwheel in operating direction until the looper is positioned to the far right. Set pointer (C) at zero degrees by rotating gauge plate (A) and lock in place. Continue turning the handwheel until the pointer stops. If the looper travel is correct the pointer should indicate 55° 40'.

## SETTING THE LOOPER TRAVEL

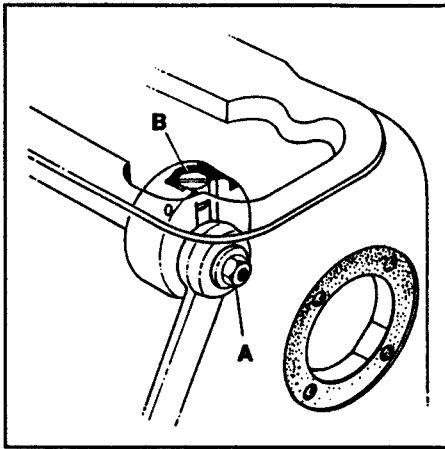


FIG. 7

To adjust the looper travel remove the top front cover and the end cover. Loosen left-handed locknut (A, Fig. 7) and turn screw (B) clockwise to decrease the looper travel or counterclockwise to increase the looper travel. Tighten locknut (A) and recheck setting.

**NOTE:** After setting the looper travel the machine must be checked for synchronization.

## TIMING THE NEEDLES TO THE LOOPER

To visually check the timing of the needles to the looper, turn the handwheel in operating direction until the needle bar has reached its lowest position and has risen  $5/32$ " (4.0mm). At this time the looper point should appear at the same relative position to the needles whether rotation of handwheel is clockwise or counterclockwise.

## INSTRUCTIONS FOR USING SYNCHRONIZING GAUGE 21277CG

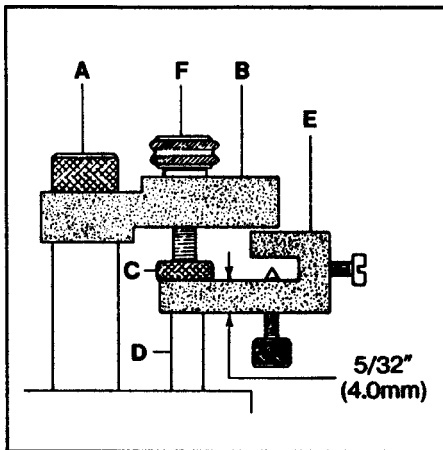


FIG. 8

Turn the handwheel until the needle bar is at its lowest point. Loosen presser bar regulating screw (A, Fig. 8) and insert needle bar setting block (B) under the head of the screw (A) with stop screw (C) above needle bar (D). Tighten screw (A).

The long portion of the looper clamp and height gauge (E, Fig. 8) laid on its side is the  $5/32$ " (4.0mm) gauge used to set the distance between stop screw (C) and the top of the needle bar (D) at its lowest position. Tighten nut (F) to clamp stop screw (C) into place.

## TIMING THE NEEDLES TO THE LOOPER (CONT.)

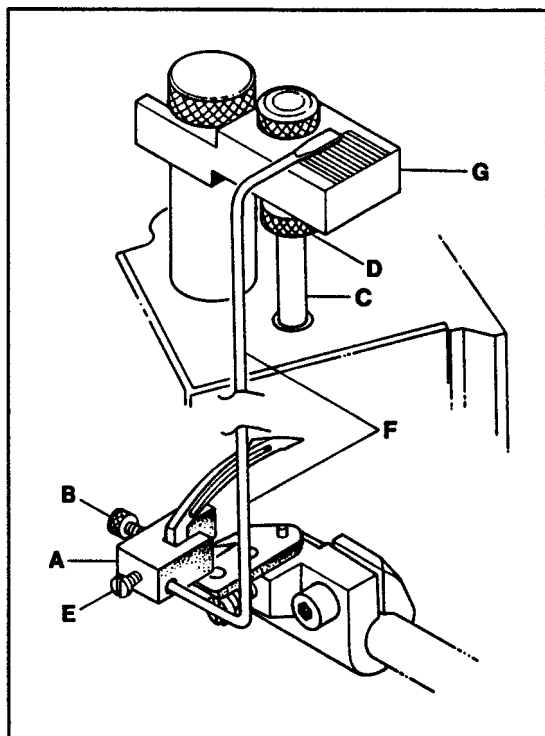


FIG. 9

Attach the looper clamp and height gauge (A, Fig. 9) to the heel of the looper by tightening screw (B). Turn the handwheel slowly in a clockwise direction until needle bar (C) touches stop screw (D). Loosen screw (E) and set synchronizing gauge rod (F) so the flat end is on one of the lines in the center of the block (G). Tighten screw (E).

Turn the handwheel in the opposite direction until the needle bar touches stop screw (D, Fig. 9). Synchronizing rod (F) should come to the same line on block (G). The difference must not exceed one line.

If the setting cannot be achieved, main shaft coupling (A, Fig. 10) must be repositioned. Remove the crank chamber cover and gasket. Loosen the three coupling screws (B). If synchronizing rod (F, Fig. 9) moves more to the right while the handwheel is rotated in a clockwise direction, the looper is too fast and the main shaft should be retarded. If the rod moves more to the right when the handwheel is rotated in a counterclockwise direction the looper is too slow and the mainshaft should be advanced. Tighten screws (B, Fig. 10).

**NOTE:** If the stationary Knife interferes with the synchronizing rod (F) remove the knife to make the adjustment.

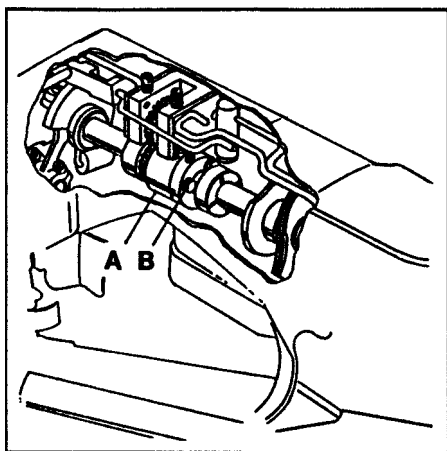


FIG. 10

## LOOPER ADJUSTMENTS

### Looper Avoid

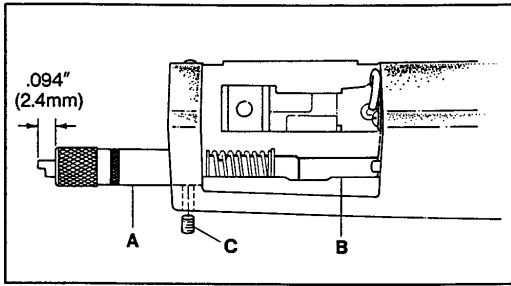


FIG. 11

The looper avoid is set at .094" (2.4mm). Using gauge no. 21227BV (A, Fig. 11), position looper shaft (B) fully to the rear (away from operator) and insert the gauge through the looper shaft hole in the end of the cylinder until the plunger is fully extended from the gauge. Tighten clamp screw (C). When the looper is positioned fully to the front, the end of the plunger should be flush with the end of the gauge. The motion of the plunger from the extended position to flush represents .094" (2.4mm) travel. To adjust the looper avoid remove the cylinder cover and loosen screw (A, Fig. 12) with TT-85 wrench. Raise the ball joint to shorten the avoid motion or lower it to lengthen the avoid motion. Tighten screw (A). Reposition gauge (A, Fig. 11) and recheck the setting.

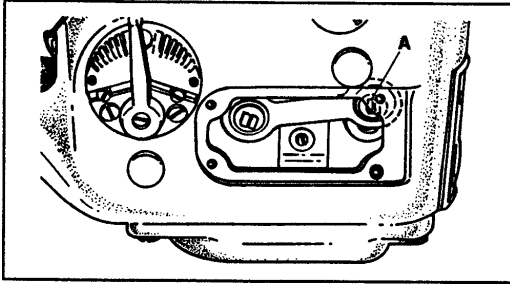


FIG. 12

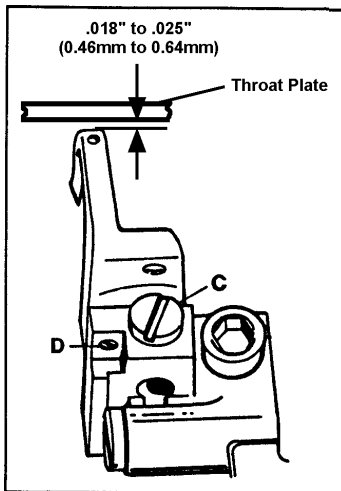


FIG. 13

### Vertical Adjustment of Looper

A clearance of .018" to .025" (0.46mm to 0.64mm) should be maintained between the top of the looper and the bottom of the stitch tongue. Loosen screw (C, Fig. 13) and turn screw (D), directly under the looper, up or down as required. Make sure the looper is seated and tighten screw (C). Check for clearance.

NOTE: On machine style 36200UAK52 looper sits on looper holder.

## LOOPER ADJUSTMENTS (CONT.)

### Looper Gauge

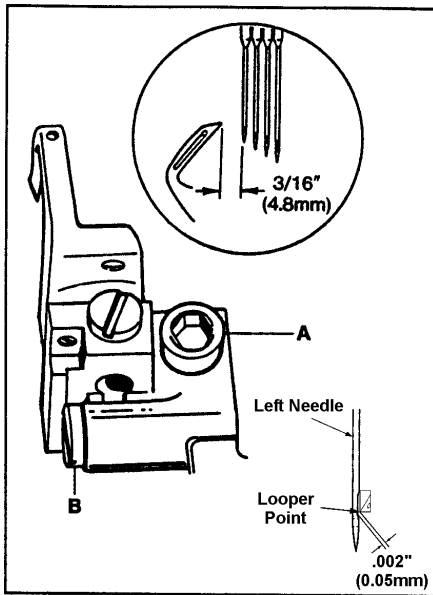


FIG. 15

Turn the handwheel in operating direction until the looper has traveled fully to the left. Loosen screw (A, Fig. 15) and move the looper holder to the right or left until the distance from the point of the looper to the center of the first (left) needle is 3/16" (4.8mm). Clearance between the looper point and the scarf of the needle must not exceed .002" (0.05mm). Turn screw (B) until the .002" (0.05mm) dimension is achieved. Tighten screw (A).

For all styles except 36200UAK52 which is 1/8" (3.1mm).

**NOTE:** Looper gauge may need to be increased or decreased slightly to obtain a proper stitch.

### SETTING THE FRONT NEEDLE GUARD

Install needle guard (A, Fig. 16) and position it to touch but not deflect the first needle. Slowly turn the handwheel in operating direction and check the needles to make sure they are not pinched between the looper and the needle guard.

**NOTE:** On machine style 36200UAK52 may deflect slightly

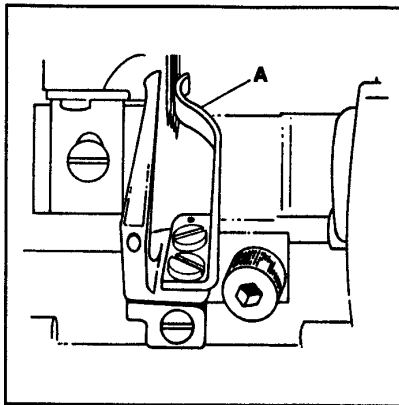


FIG. 16

### SETTING THE FEED DOGS

**Preliminary Setting:**

Install the differential feed dog (A, Fig. 17) with screw (B). Attach rear needle guard (C) to main feed dog (D), pushing in fully to the rear and tighten screw (E). Install main feed dog with screw (F).

As a starting point loosen screw (G) and set the slot in feed bar eccentric stud (H) in a horizontal position. Tighten screw (G). At the highest point of travel feed dogs (A and D) should be the depth of one full tooth above throat plate (J). Loosen screws (B and F) and adjust the height of each feed dog by moving them up or down in the elongated slot of the shank. Tighten screws (B and F). Loosen screw (G) and turn stud (H) until the top of the feed dogs are parallel to the throat plate. Rotating stud (H) will simultaneously level both feed dogs.

**NOTE:** When setting eccentric stud (H) if turned clockwise feeddogs should go up if turned counter-clockwise feed dogs should go down.

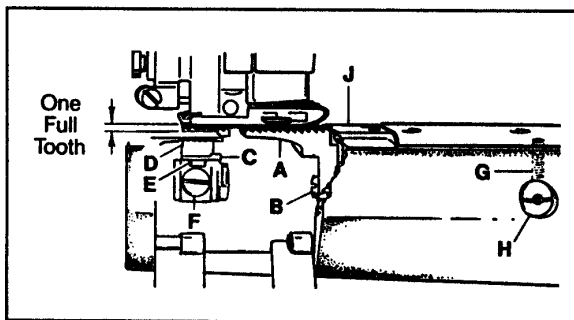


FIG. 17

**Final Setting:**

Both the main and differential feed dogs may be individually adjusted to height. Main feed dog (D) at its highest position should rise above the top of the throat plate the depth of one full tooth when the normal presser spring pressure is applied. The differential feed (A) may then be raised to it.

## SETTING THE REAR NEEDLE GUARD

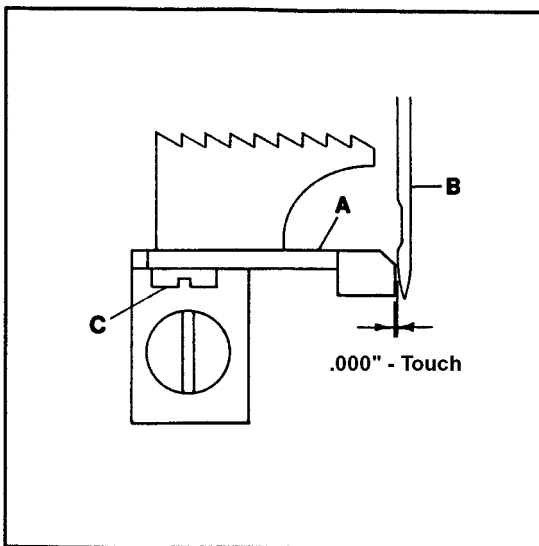


FIG. 18

Set rear needle guard (A, Fig. 18) so it touches the first (left) needle (B) but does not deflect. Check the guard position to the other needles to avoid pinching. Loosen screw (C) and reposition guard (A) as necessary. Tighten screw (C).

## SETTING THE STITCH LENGTH

This machine is designed to sew 10 to 16 stitches per inch. The normal factory setting is 12 stitches per inch. To change the stitch length remove the plug screw located directly above the cylinder side cover. Loosen screw (A, Fig. 19) in lever (B) and move up to increase the stitch length or down to decrease the stitch length. Tighten screw (A) and replace the plug screw.

**CAUTION:** If the stitch length is changed the rear needle guard setting must be checked and readjusted if necessary. Failure to do so may result in needle and/or parts breakage.

**CAUTION:** When making stitch length adjustment do not exceed maximum recommended stitch length due to possible part damage.

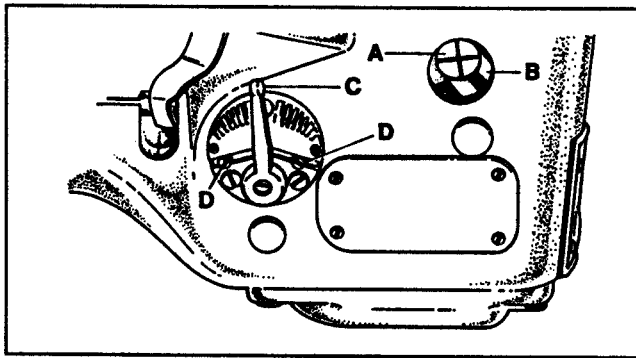


FIG. 19

## DIFFERENTIAL FEED CONTROL

The amount of differential feed is controlled by lever (C, Fig. 19). The adjusting plate is numbered from 1 to 9. When the lever is set from numbers 1 to 4 reverse differential or stretching occurs. The numbers from 4 to 5 produce equal feed stitching while numbers 5 to 9 produce a gathering stitch. The two stop screws (D) can be set to limit the movement of lever (C) or lock the lever in one position.

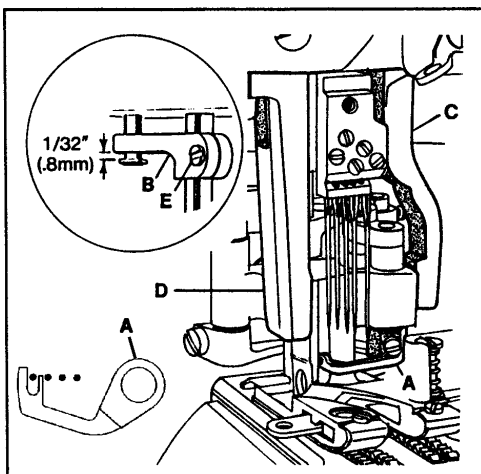


FIG. 20

## SETTING THE PRESSER FOOT

Remove the presser bar regulating screw and the presser spring. Raise the needle bar to its highest position and remove the retainer. As the foot is slipped under the needles, swing the upper knife into the opening on the right side of the foot and slide the linkage onto the hook driving sleeve. Insert the presser bar through the linkage and into the presser foot shank. Tighten presser foot screw. With the presser bar inserted properly into the presser foot, position the foot left to right so the finger of cover thread carrier (A, Fig. 20) is between the first and second needles. Set presser bar guide (B, Fig. 20 Inset) so foot will not move. Set right presser foot guide (C) and left presser foot guide (D) to maintain setting. Loosen presser bar guide screw (E Fig. 20 Inset) and check to see that foot has vertical freedom with no right to left play, no bind. Put the needle bar is in its lowest position, and set 1/32" (0.8mm) above head of presser bar guide stud. Tighten presser bar guide screw (E).

## SETTING THE PRESSER FOOT (CONT.)

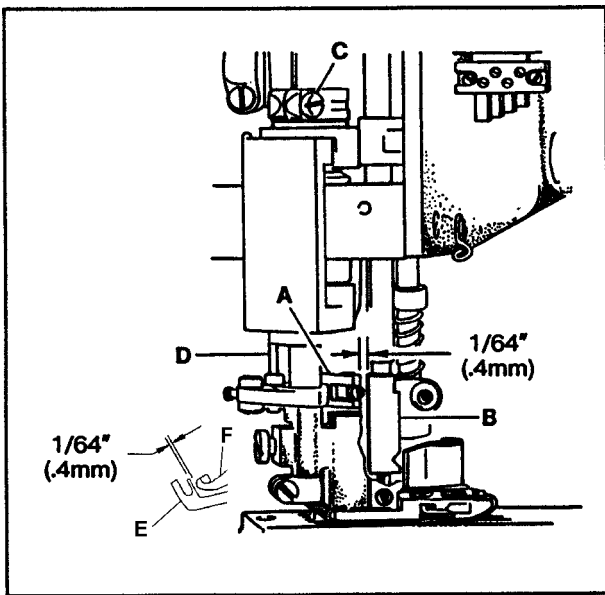


FIG. 21

Turn the handwheel in operating direction until link (A, Fig. 20) has traveled fully to the front. There must be a  $1/64$ " (0.4mm) clearance between link (A) and the back of needle head (B) when link (A) starts to jackknife. Loosen screw (C) and rotate driving sleeve (D) to position link (A). Tighten screw (C).

Add the cover thread hook (F) and cover thread carrier (E) if they are not in place. Position carrier so the thread loop will be carried behind the first two needles. There should be a minimum  $1/64$ " (0.4mm) clearance between the hook and the carrier at their closest position.

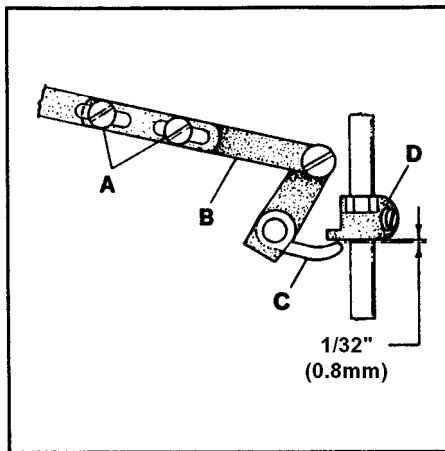


FIG. 22

Replace the presser spring and the presser bar regulating screw. Loosen screws (A, Fig. 22) in lifter lever link assembly (B) and position lever (C) so there is  $1/32$ " (0.8mm) clearance between it and presser bar guide (D) when the feed dogs are below the throat plate.

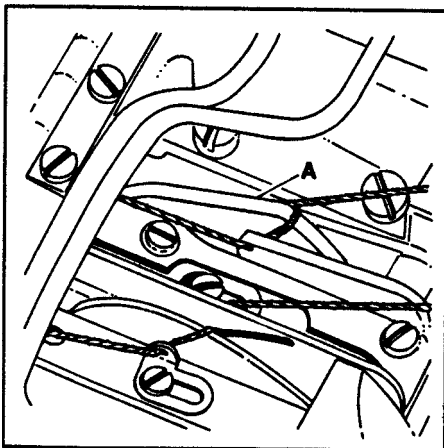


FIG. 23

When the hook swings to the left it will pass over the cover thread. On its return travel, the thread will "pop" into the slot on the underside of the hook and is carried to the right. This thread forms a triangle for the third and fourth needle threads to pass through. As the cover thread "pops" into the slot it must cast-off the high point of take-up (A, Fig. 23) at the same time. Loosen the two screws in the cover thread take-up and reposition if necessary. If there is difficulty in making this adjustment, check the thread tension and make sure the hook point has an extremely high polish and the angle is correct. Due to clearance requirements bending the hook is not recommended.



## SETTING THE PRESSER FOOT (CONT.)

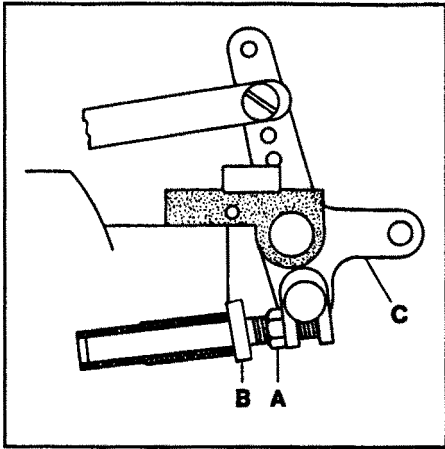


FIG. 24

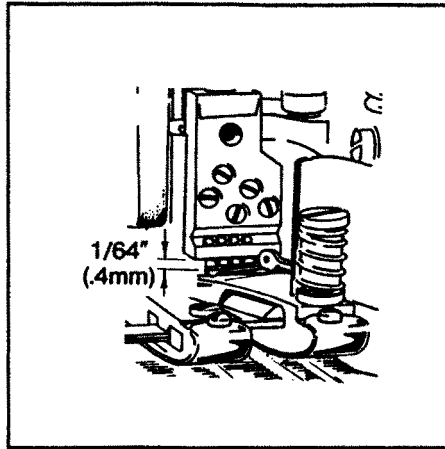


FIG. 25

The presser foot lifter stop plunger must be set so the cover thread hook will not hit the bottom of the needle head as the presser foot is being lifted. Position the needle bar to its lowest point of travel. Loosen nut (A, Fig. 24) and turn plunger (B) clockwise until it strikes the crankshaft counterweight. While applying pressure to lifter (C) to lift the foot, back out of the plunger until the distance between the hook and the underside of the needle head is  $1/64$ " (0.4mm) (see Fig. 25). Tighten nut (A, Fig. 24).

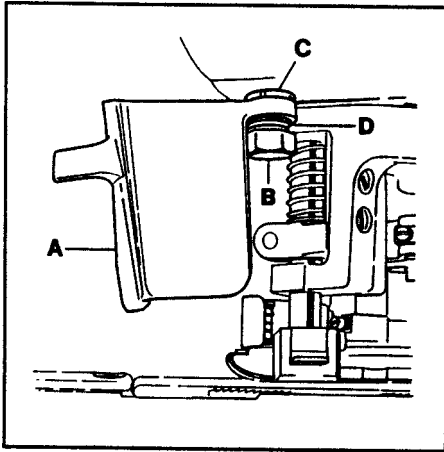


FIG. 26

To adjust the position and tension of frame chip guard (A, Fig. 26), slightly loosen screw (B) and turn washer (C) with 21388Y spanner wrench until spring (D) snaps the guard into the closed position. Tighten screw (B). A light resistance should be felt when opening the guard.

## SETTING THE KNIFE DRIVE LEVER

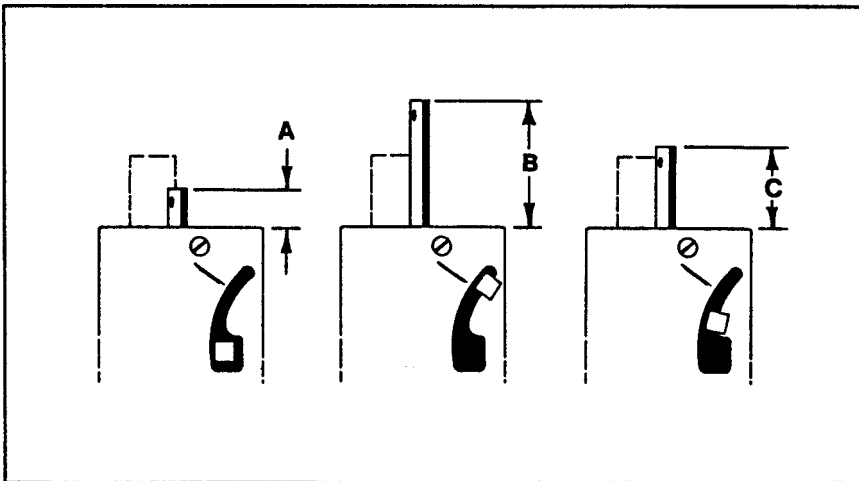


FIG. 27

Position the needle bar at the bottom of its stroke. Measure from the top of the needle bar to the top of the casting to obtain dimension "A" (see Fig. 27).

Position the needle bar at the top of its stroke. Measure from the top of the needle bar to the top of the casting to obtain dimension "B". Subtract dimension "A" from dimension "B" and divide by two. Add this number to dimension "A" to obtain "C". Set a caliper to the "C" dimension and turn the handwheel in operating direction until the height of the needle bar is at the "C" dimension

## SETTING THE KNIFE DRIVE LEVER (CONT.)

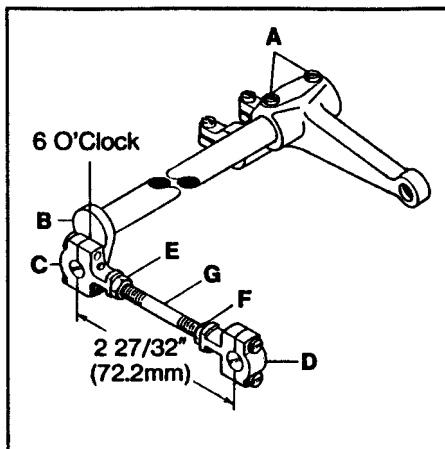


FIG. 28

At this time the knife drive lever should be in the 6 o'clock position. If adjustment is necessary, loosen screws (A, Fig. 28) in the needle lever and reposition knife drive lever (B) to the 6 o'clock position. Tighten screws (A). The dimension between the centerline of right and left knife drive connection ball joints (C and D) must be  $2 \frac{27}{32}$ " (72.2mm). Loosen left hand thread nut (E), right hand thread nut (F) and turn connecting rod (G) until dimension is achieved. Tighten nuts (E and F).

## SETTING THE TRIMMING KNIVES FOR BUTT SEAMING (STYLES 36200UA52, UAE52, UAK52, UJ60, UJE60, UX52, UX60)

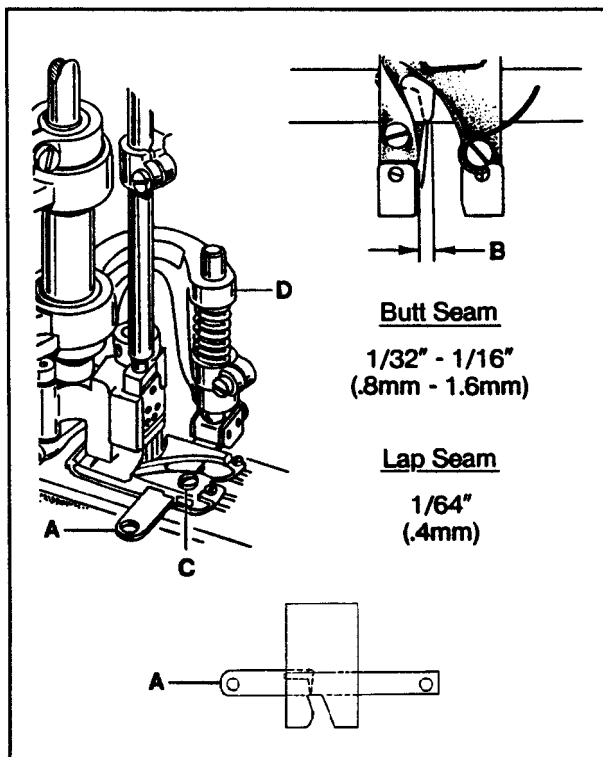


FIG. 29

To make the adjustments for a flat, butt seam, position lower knife (A, Fig. 29) in the foot so it extends  $\frac{1}{32}$ " to  $\frac{1}{16}$ " (0.8mm to 1.6mm) past the right side of the left toe (B) (approximately between the second and third needles). Loosen screw (C) and move knife in or out as required. Tighten screw (C) securely.

## SETTING THE TRIMMING KNIVES FOR LAP SEAMING (STYLES 36200UH52, UAE52, UE52, UE60, UJE60, UM60, UY52, UY60)

To make the adjustments for a lap seam, position lower knife (A, Fig. 29) in the foot so it extends  $\frac{1}{64}$ " (0.4mm) past the right side of the left toe (B) (approximately even with the first needle). Loosen screw (C) and move knife in or out as required. Tighten screw (C) securely.

(ALL STYLES)

Turn handwheel in operating direction until knife driving bracket (D) is positioned to the extreme left. At this time the front edge of both knives should be parallel with each other and the upper knife cutting edge should overlap lower knife cutting edge by  $\frac{1}{64}$ " (0.4mm)

## SETTING THE TRIMMING KNIVES (ALL STYLES)(CONT.)

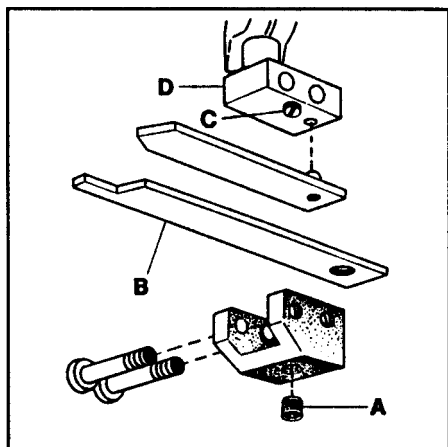


FIG. 30

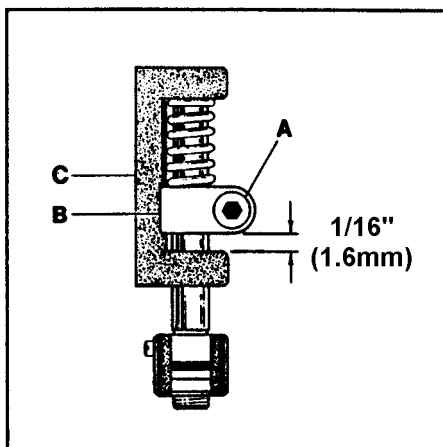


FIG. 31

If necessary loosen screw (A, Fig. 30) and move knife (B) to the right or left as required. Tighten screw (A).

If the shear angle between the knives has to be changed, raise or lower screw (C, Fig. 30) in knife holder shank (D).

To set spring pressure between the knives loosen screw (A, Fig. 31) and raise knife holder guide collar (B) 1/8" (3.2mm) from knife driving bracket (C). Tighten screw (A).

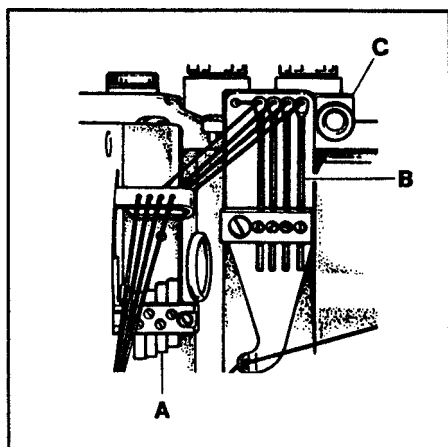


FIG. 32

### NOTE:

More or less spring pressure may be required depending on the type of material being sewn. Also, both knives may have to be repositioned after a trial seam is made so there is an equal margin from the edges of the two plies to the center rows of stitching.

### NEEDLE THREAD ADJUSTMENTS

Four needle thread strike-off pins (A, Fig. 32) are provided for independent needle thread control. Level the take-ups to the height of the thread in the needle lever eyelet at its lowest position. Raise the first take-up (nearest the operator) 1/8" (3.2mm) and the second take-up 1/16" (1.6mm). Further adjustment may be necessary to obtain proper needle loop size so skipped stitches may be avoided.

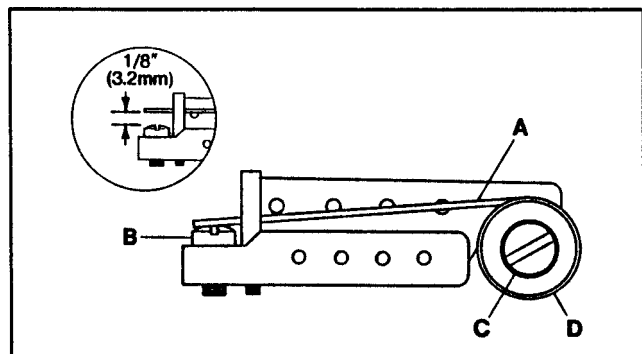


FIG. 33

Set the four frame needle thread eyelets (B, Fig. 32) eye with the eyelets in holder (C). Adjust as necessary so the needle thread loops around the looper will remain firm and not seek random positions when the needle bar descends.

Unlocking spring (A, Fig. 33) provides a proportional amount of pull-up of the needle threads when the machine is reversed for unlocking the stitch so the loops will not form on the front of the needles and become caught by the looper.

NOTE: Unlocking spring is only used when starting and stopping on the material.

Turn screw (B) up or down so unlocking spring (A) will have 1/8" (3.2mm) drop from the bottom of the thread holes to the top of screw (B). Loosen screw (C) and turn knurled knob (D) to adjust the spring tension. Tighten screw (C).

Tension of the six threads is individually controlled. The needle tension is seldom uniform; the first needle thread having more tension than the other three. Use only enough tension to pull up the stitch. A well-balanced stitch will have the first and fourth needle loops pulled up and the second and third needle loops small and even.

## LOOPER THREAD ADJUSTMENT

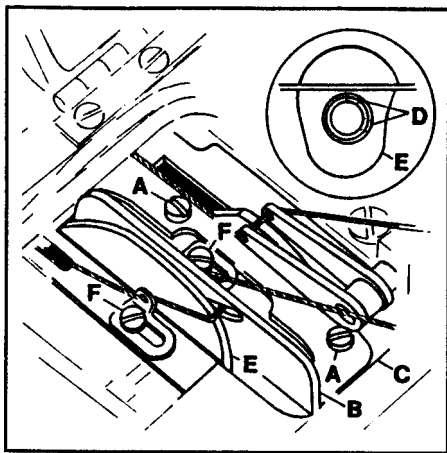


FIG. 34

Loosen screws (A, Fig. 34) and position looper thread cast-off (B) flush with the right end of cast-off support plate (C). Tighten screws (A). Loosen screws (D, Fig. 34 inset) and time take-up (E) so the thread will cast-off when the needle bar has descended  $7/64$ " (2.8mm) from its highest position. When thread eyelets (F) are moved further to the left the amount of thread pull-off will increase.

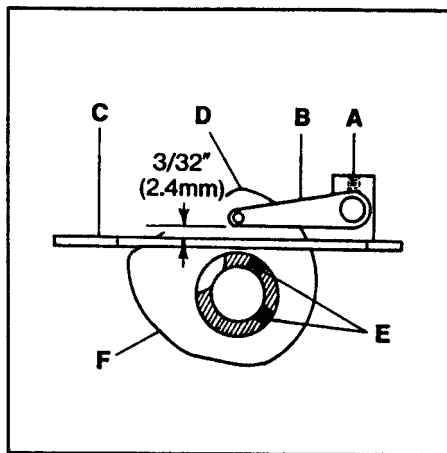


FIG. 35

## COVER THREAD ADJUSTMENT

Loosen screw (A, Fig. 35) and set the lower edge of cover thread take-up eyelet (B) so its  $3/32$ " (2.4mm) above the surface of cast-off plate (C). Tighten screw (A). As the cover thread hook moves to the left over the cover thread and the needle bar starts to rise, the cover thread must "cast-off" from the high point of take-up (D). Loosen screws (E) and adjust take-up (F) accordingly. Make sure that take-up (F) is centered in cast-off plate slot (C) and take-up eyelet (B) is centered to take-up (F). Tighten screws (E).

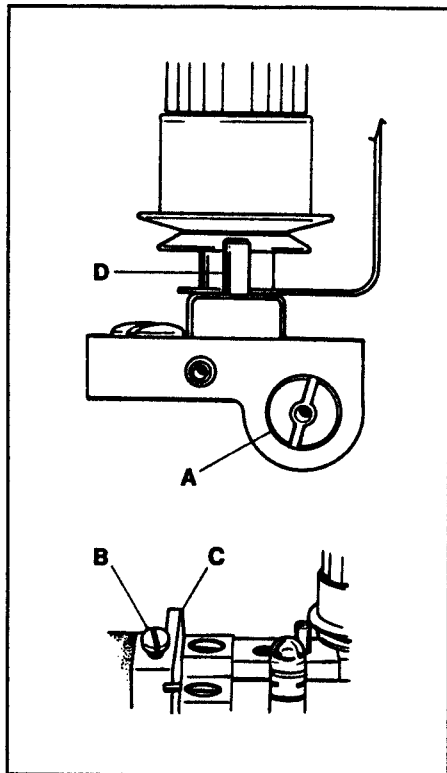


FIG. 36

## TENSION RELEASE

The tension release should start to function when the presser foot has raised approximately  $1/32$ " (0.8mm) above the surface of the throat plate and be entirely released when the presser foot has reached its highest position. Insert a large screwdriver into slot on the right end of shaft (A, Fig. 36), loosen screw (B) in lifter lever (C) and turn the screwdriver to raise or lower pins (D). Tighten screw (B).

**NOTE:** Make sure the  $1/32$ " (0.8mm) clearance between the presser bar lifter lever and presser bar guide has been maintained. Refer to Fig. 22 if readjustment is necessary.

## HUNG FOOT ADJUSTMENT

When sewing on extremely lightweight material and/or feed cutting is a problem, the presser foot may be "hung" by raising stud (B) until guide (A) rests on the shoulder of stud (B). This adjustment will raise the presser foot slightly, so only the pressure of the presser foot shoes contact the material. Turn handwheel in operating direction until the feed dogs are below the throat plate surface. At this time there should be a 1/32" (0.8mm) clearance between the bottom of presser bar guide (A, Fig. 37A&B) and presser bar guide stud (B). On 36200UY52&UY60 to hang presser foot, loosen lock nut (C Fig. 37A) and turn thumbscrew (D Fig. 37A) so that the foot comes up slightly, tighten nut (C Fig. 37A). On all other 36200 machines loosen screw (C Fig. 37B) and turn nut (D Fig. 37B) so that foot comes up slightly, tighten screw (C Fig. 37B).

## SETTING THE LAP FORMER (STYLES 36200UAE52, UE52, UE60, UH52, UJE60, UM60, UY52, UY60)

Attach gibs (A, Fig. 38) to the cylinder cover but do not tighten screws (B); leave them snug for further adjustment. Fasten spring (C, Fig. 38 inset) to the bottom of slide block (D) and insert between gibs (A). Attach lap former (E) to slide block (D) with screws (F) and position it in the center of the presser foot. Position the slide block so it has a snug (but not tight) fit the entire length of the gibs. Tighten screws (B).

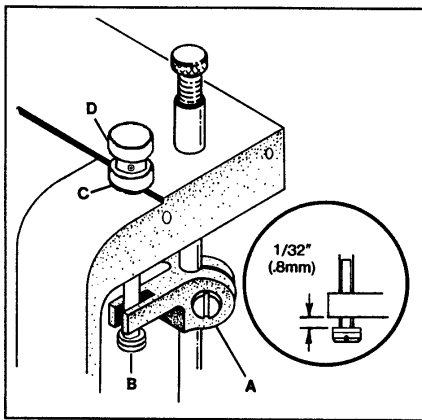


FIG. 37A

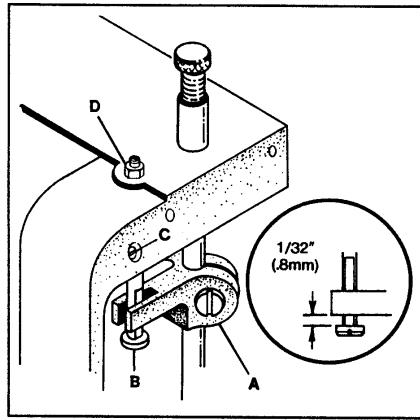


FIG. 37B

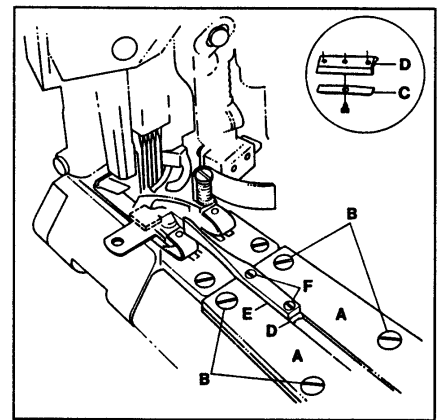


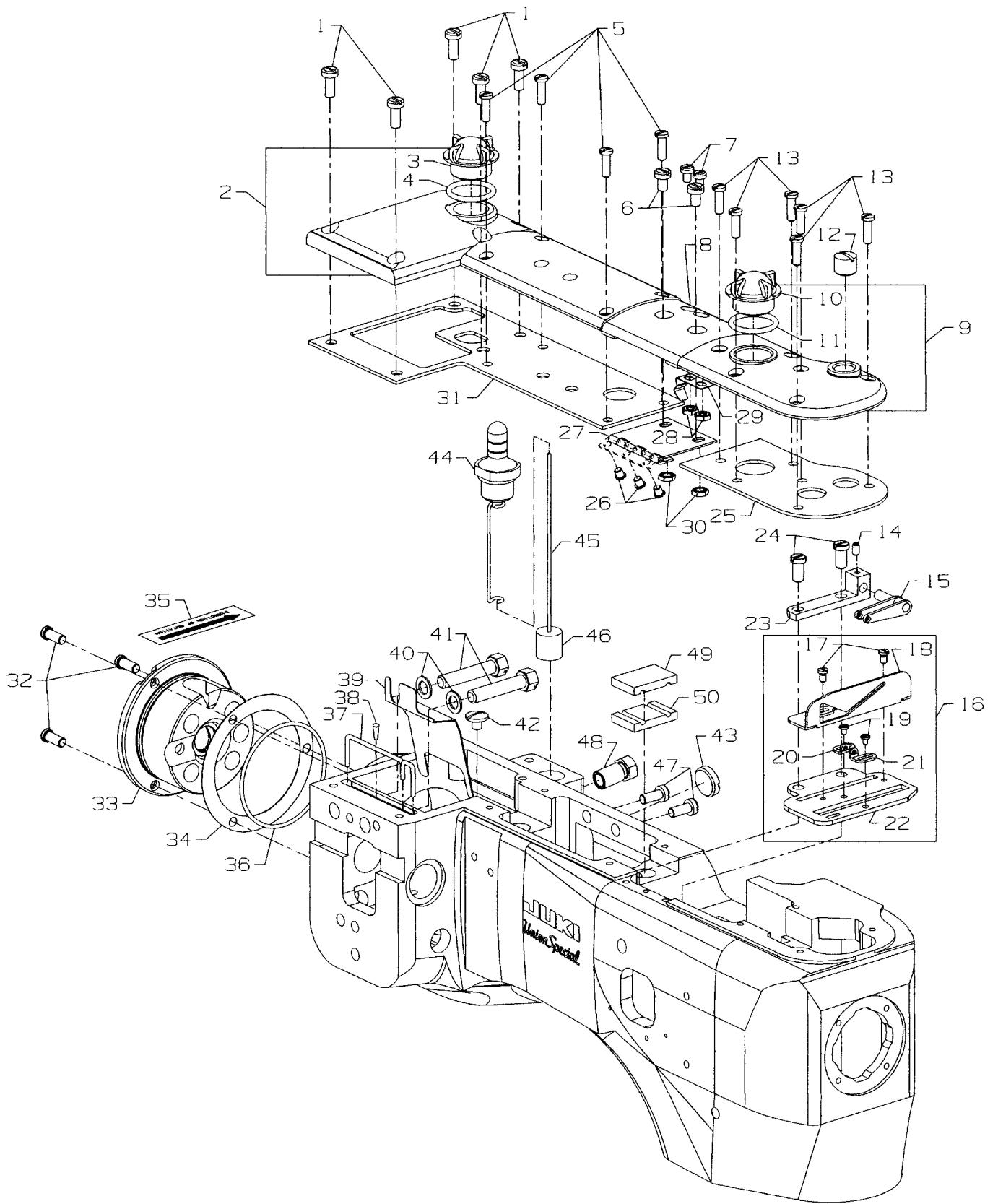
FIG. 38

## LAP SEAMING

Lap Seaming on the 36200UAE52, UE52, UE60, UJE60, UY52, UY60 can be accomplished using three methods:

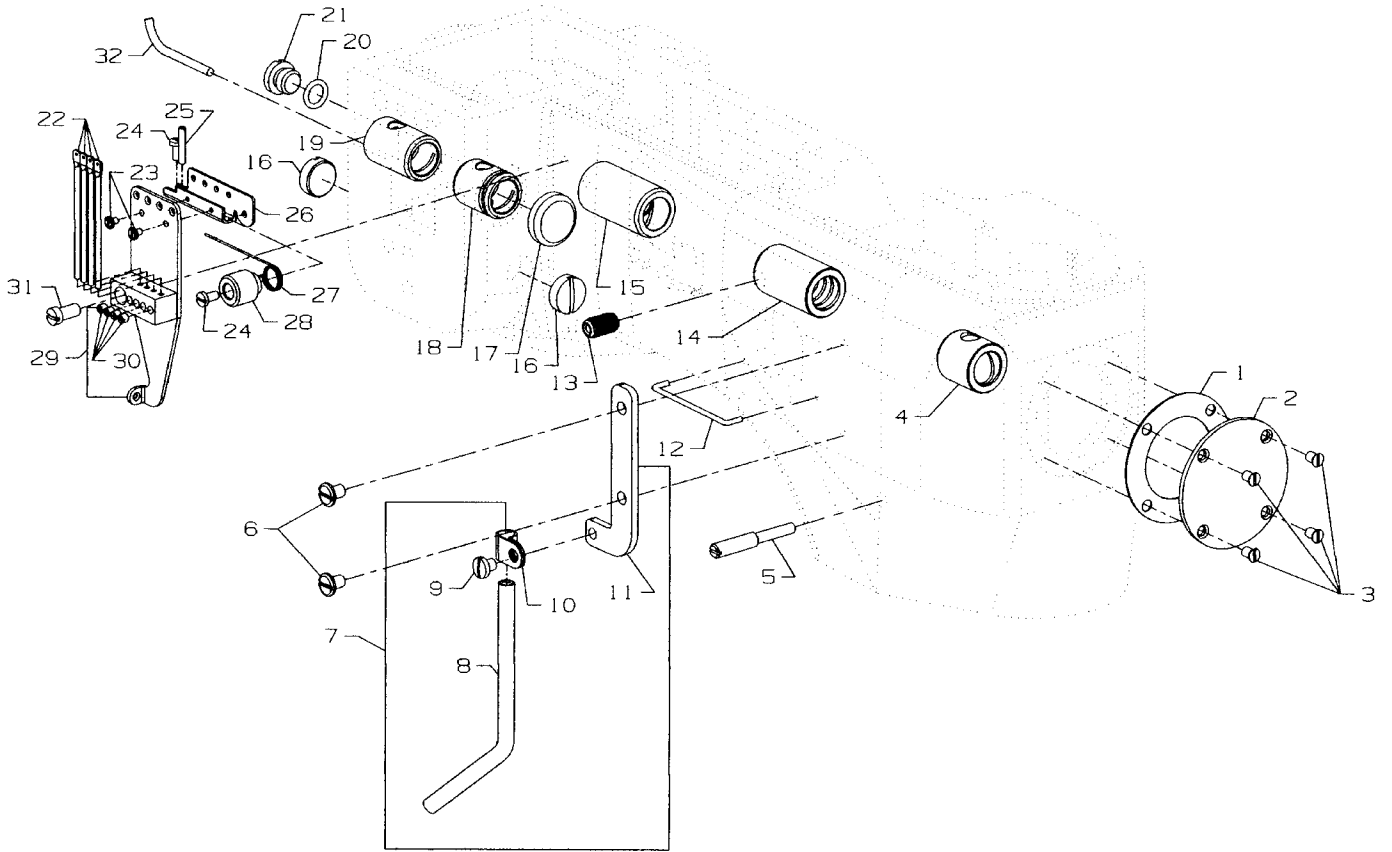
1. Lap Seaming cutting two plies of material.
  - A. Remove butt seam presser foot and replace with lap seam presser foot. Refer to pages 15, 16, & 17 for presser foot adjustments.
  - B. Attach lap former and slide block with spring. See above for adjustments.
2. Lap seaming cutting only right ply of material.
  - A. Use butt seam presser foot.
  - B. Remove front right throat plate screw and attach 36203 edge guide with 22849 screw, and adjust left or right for proper coverage on bottom.
  - C. Adjust knives left or right for proper trimming and coverage on top.
3. Lap seaming cutting only left ply of material.
  - A. Use butt seam presser foot.
  - B. Remove left front throat plate screw and attach 36203 edge guide with 22849 screw, and adjust left or right for proper coverage on bottom.
  - C. Adjust knives left or right for proper trimming and coverage on top.

| MACHINE STYLE | BUTT SEAMING PRESSER FOOT | LAP SEAMING PRESSER FOOT FOR CUTTING TWO PLYS |
|---------------|---------------------------|---|
| 36200UAE52    | 36220A                    | 36220E  |
| 36200UJE60    | 36220K                    | 36220W  |



## OIL SIGHT GAUGES, TOP COVERS & MISCELLANEOUS TAKEUP & EYELET PARTS

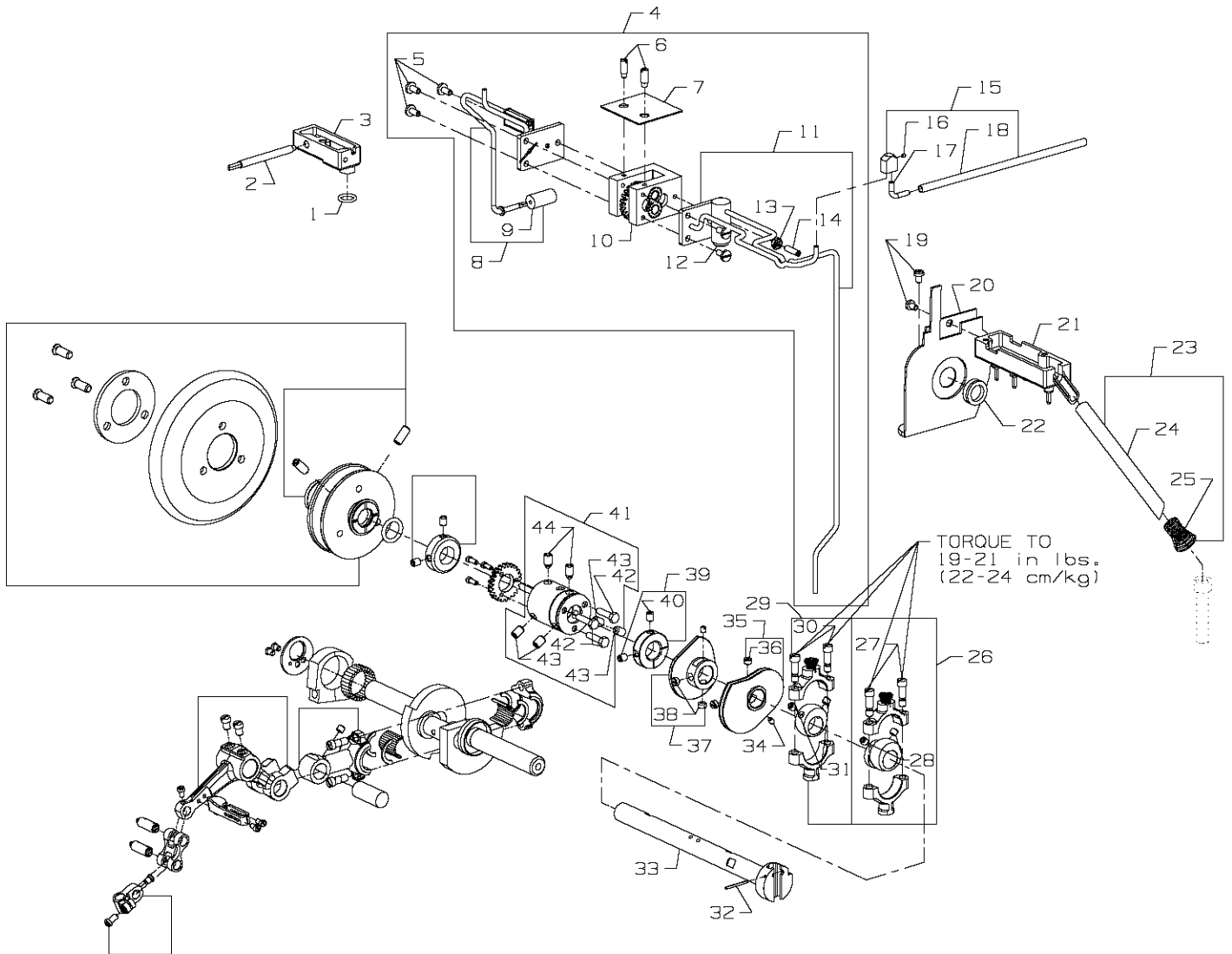
| Ref.<br>No. | Part No.    | Description                                    | Amt.<br>Req. |
|-------------|-------------|--|--------------|
| 1.          | 93          | Screw, for crank chamber cover .....           | 5            |
| 2.          | 35888N      | Crank Chamber Cover .....                      | 1            |
| 3.          | B3530555000 | Oil Sight Gauge .....                          | 1            |
| 4.          | 660-212     | "O"Ring .....                                  | 1            |
| 5.          | 22516A      | Screw .....                                    | 4            |
| 6.          | 93A         | Screw, for middle top cover .....              | 2            |
| 7.          | 90          | Screw, for spring .....                        | 2            |
| 8.          | 35887X      | Top Cover, middle .....                        | 1            |
| 9.          | 35887AE     | Top Cover, front .....                         | 1            |
| 10.         | B3530555000 | Oil Sight Gauge .....                          | 1            |
| 11.         | 660-212     | "O"Ring .....                                  | 1            |
| 12.         | 22539M      | Plug Screw .....                               | 1            |
| 13.         | 22516A      | Screw, for front top cover .....               | 6            |
| 14.         | 73C         | Screw .....                                    | 1            |
| 15.         | 36256       | Cover Thread Take-up Eyelet .....              | 1            |
| 16.         | 29476XC     | Cast-Off Plate Assembly .....                  | 1            |
| 17.         | 22KH        | Screw, for cast-off .....                      | 2            |
| 18.         | 36204       | Cast-off .....                                 | 1            |
| 19.         | 73A         | Screw, for cast-off plate eyelets .....        | 2            |
| 20.         | 52958F      | Cast-off Plate Eyelet, rear .....              | 1            |
| 21.         | 52958C      | Cast-off Plate Eyelet, front .....             | 1            |
| 22.         | 36204A      | Cast-off Plate .....                           | 1            |
| 23.         | 36256A      | Cover Thread Take-up Eyelet Holder .....       | 1            |
| 24.         | 22839       | Screw .....                                    | 2            |
| 25.         | 35887AG     | Gasket, for front top cover .....              | 1            |
| 26.         | 22564B      | Screw, for middle cover hinge .....            | 3            |
| 27.         | 35887R      | Middle Cover Hinge .....                       | 1            |
| 28.         | 41071G      | Nut, for top middle cover spring screw .....   | 2            |
| 29.         | 35887M      | Spring, for middle top cover .....             | 1            |
| 30.         | 12934A      | Nut, for top middle cover spring screw .....   | 2            |
| 31.         | 35888T      | Gasket, for crank chamber .....                | 1            |
| 32.         | 22569B      | Screw, for bushing housing .....               | 1            |
| 33.         | 36290D      | Bushing Housing, includes bushing .....        | 1            |
| 34.         | 56390E      | Gasket, for bushing housing .....              | 1            |
| 35.         | LA528       | Directional Label .....                        | 1            |
| 36.         | 660-935     | "O"Ring .....                                  | 1            |
| 37.         | CL21        | Oil Wick .....                                 | 1            |
| 38.         | CO67E       | Cork .....                                     | 1            |
| 39.         | 35889H      | Oil Shield .....                               | 1            |
| 40.         | 6042A       | Washer, for screw .....                        | 2            |
| 41.         | 22759A      | Screw, for connecting head to main frame ..... | 2            |
| 42.         | 22711       | Screw, for oil wick .....                      | 1            |
| 43.         | 22539AA     | Plug Screw .....                               | 1            |
| 44.         | 36293B      | Oil Sight Gauge .....                          | 1            |
| 45.         | 36293E      | Oil Level Indicator .....                      | 1            |
| 46.         | 39593C      | Oil Gauge Float .....                          | 1            |
| 47.         | 93          | Screw, for oil pump housing .....              | 2            |
| 48.         | 35890P      | Bushing .....                                  | 1            |
| 49.         | 35893G      | Seal, Upper .....                              | 1            |
| 50.         | 35893H      | Seal, Lower .....                              | 1            |





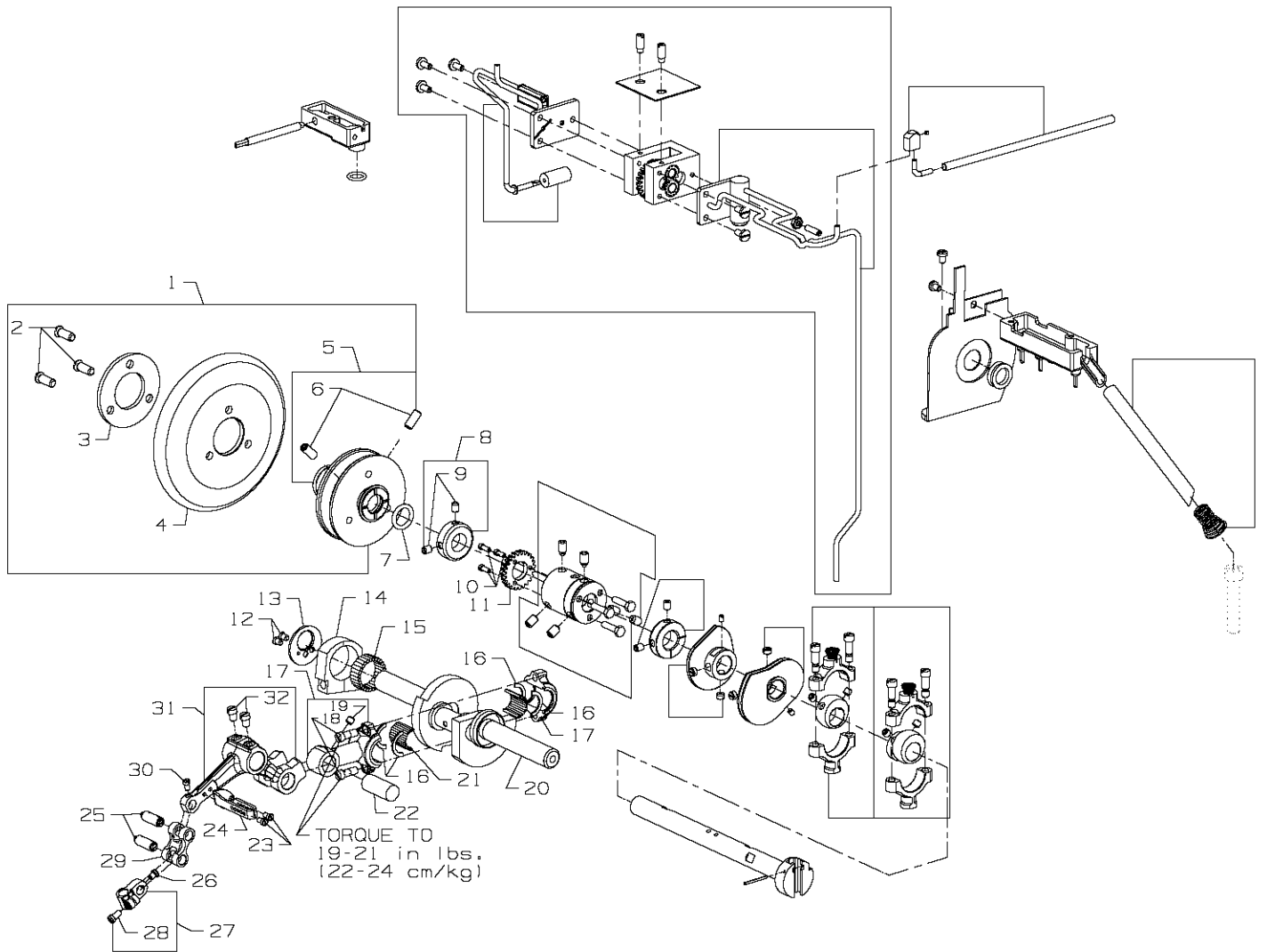
**MAIN FRAME, BUSHINGS & MISCELLANEOUS EYELET & COVER PARTS**

| Ref. No. | Part No.    | Description  | Amt. Req. |
|----------|-------------|--|-----------|
| 1.       | 35887AF     | Gasket, end cover .....                            | 1         |
| 2.       | 35887Z      | End Cover .....                                    | 1         |
| 3.       | 22564B      | Screw, end cover .....                             | 4         |
| 4.       | 36290B      | Main Shaft Bushing, front .....                    | 1         |
| 5.       | 22791D      | Screw, for looper drive lever shaft .....          | 1         |
| 6.       | 22829       | Screw, looper thread shield .....                  | 2         |
| 7.       | 29105BH     | Looper Thread Shield .....                         | 1         |
| 8.       | 35866A      | Tube .....   | 1         |
| 9.       | SS7110510SP | Screw .....  | 1         |
| 10.      | 35866B      | Tube Clamp .....                                   | 1         |
| 11.      | 35883AL     | Support .....                                      | 1         |
| 12.      | 35781D      | Looper Thread Guide Wire .....                     | 1         |
| 13.      | 62271B      | Thread Guide .....                                 | 1         |
| 14.      | 36290A      | Main Shaft Bushing, rear .....                     | 1         |
| 15.      | 35890E      | Crankshaft Bushing, front .....                    | 1         |
| 16.      | 22539T      | Plug Screw .....                                   | 2         |
| 17.      | 35761D      | Bushing Cap .....                                  | 1         |
| 18.      | 35860D      | Needle Lever Shaft Bushing, front .....            | 1         |
| 19.      | 36260A      | Needle Lever Shaft Bushing, rear .....             | 1         |
| 20.      | 660-206     | Rubber "O" Ring .....                              | 1         |
| 21.      | 22733B      | Oil Drain Screw .....                              | 1         |
| 22.      | 36271A      | Frame Needle Thread Eyelet .....                   | 4         |
| 23.      | 73A         | Screw, for needle thread eyelet .....              | 2         |
| 24.      | 22768B      | Screw, for unlocking spring height adjusting ..... | 1         |
| 25.      | 22799B      | Screw .....  | 2         |
| 26.      | 36271G      | Stitch Unlocker Mounting Bracket .....             | 1         |
| 27.      | 36271E      | Unlocking Spring .....                             | 1         |
| 28.      | 36271H      | Spring Holder .....                                | 1         |
| 29.      | 36271       | Needle Thread Eyelet .....                         | 1         |
| 30.      | 28C         | Screw .....  | 4         |
| 31.      | 22569D      | Screw, for needle thread eyelet .....              | 1         |
| 32.      | CL21        | Oil Wick .....                                     | 1         |



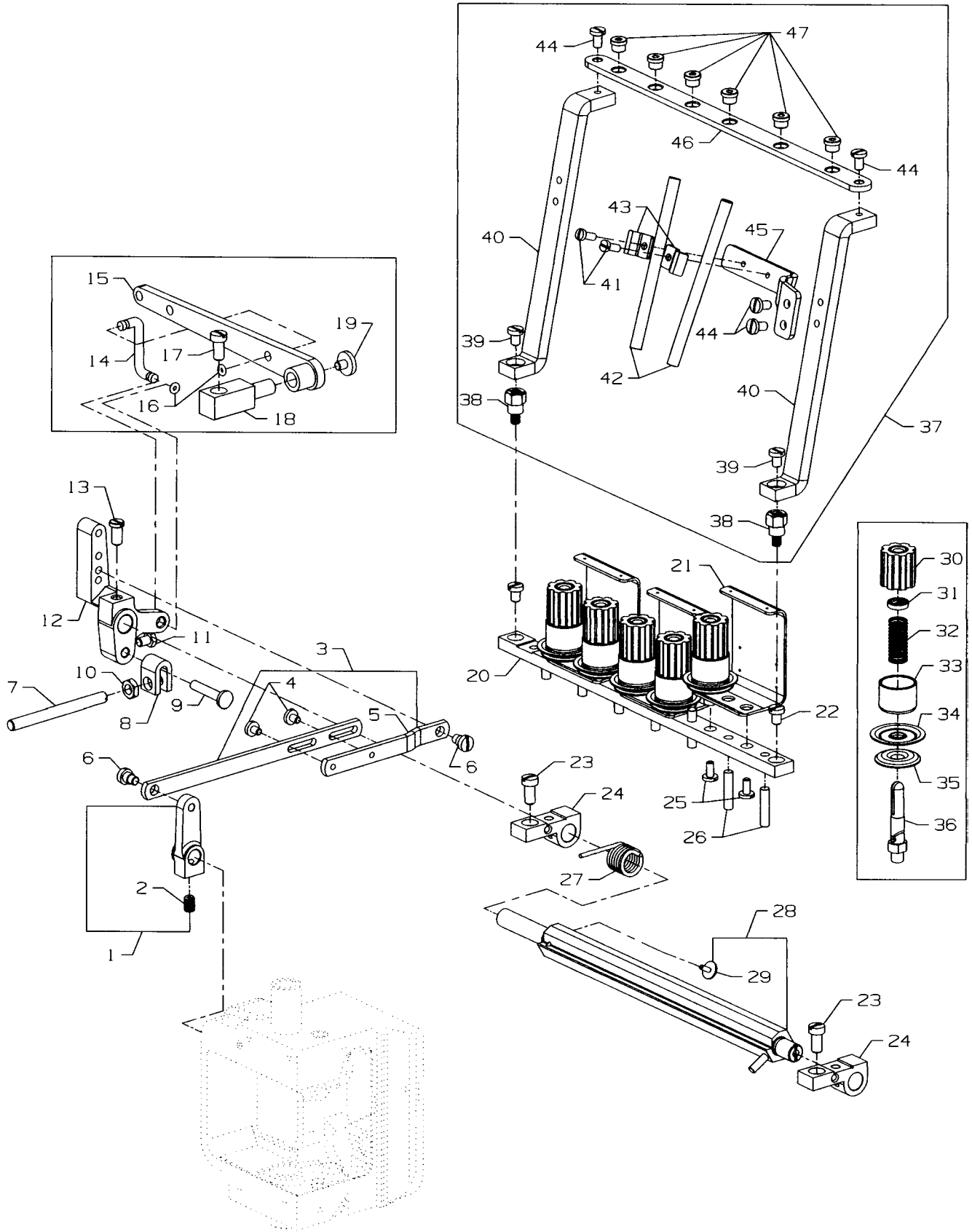
## MAIN SHAFT & MISCELLANEOUS OILING

| Ref.<br>No. | Part No.  | Description                             | Amt.<br>Req. |
|-------------|-----------|---|--------------|
| 1.          | 660-207   | Oil Seal Ring .....                     | 1            |
| 2.          | 35897BU   | Reservoir Outlet Tube .....             | 1            |
| 3.          | 35894J    | Oil Reservoir, back .....               | 1            |
| 4.          | 29472Y    | Pump Assembly .....                     | 1            |
| 5.          | 22585A    | Screw, for housing cover .....          | 5            |
| 6.          | 21756G    | Vent Screw .....                        | 2            |
| 7.          | 35897BW   | Gasket .....                            | 1            |
| 8.          | 36297J    | Housing Cover and Oil Tube, rear .....  | 1            |
| 9.          | 35897BV   | Intake Filter .....                     | 1            |
| 10.         | 29472AC   | Pump Body and Gear Assembly .....       | 1            |
| 11.         | 36297M    | Housing Cover and Oil Tube, front ..... | 1            |
| 12.         | 22571B    | Plug Screw .....                        | 1            |
| 13.         | 41071G    | Nut .....                               | 1            |
| 14.         | 22565A    | Screw .....                             | 1            |
| 15.         | 36293M    | Oil Splitter .....                      | 1            |
| 16.         | 1096      | Screw .....                             | 1            |
| 17.         | 36293L    | Oil Tube .....                          | 1            |
| 18.         | 50393-140 | Tubing .....                            | 1            |
| 19.         | 90        | Screw, for take-up shield .....         | 2            |
| 20.         | 36261A    | Take-up Shield Assembly .....           | 1            |
| 21.         | 35894L    | Oil Reservoir, front .....              | 1            |
| 22.         | 666-338   | Oil Seal Ring .....                     | 1            |
| 23.         | 36293K    | Oil Tube Bypass .....                   | 1            |
| 24.         | 671B3     | Air Tube .....                          | 1            |
| 25.         | 11550209  | Tension Spring .....                    | 1            |
| 26.         | 29101J    | Feed Drive Eccentric Assembly .....     | 1            |
| 27.         | 22587E    | Screw .....                             | 2            |
| 28.         | 22894W    | Set Screw .....                         | 2            |
| 29.         | 29103T    | Feed Lift Eccentric Assembly .....      | 1            |
| 30.         | 22587E    | Screw .....                             | 2            |
| 31.         | 22894W    | Set Screw .....                         | 2            |
| 32.         | 660-219P  | Roll Pin .....                          | 1            |
| 33.         | 36222C    | Main Shaft .....                        | 1            |
| 34.         | 22801     | Screw .....                             | 2            |
| 35.         | 36223     | Double Disc Take-up .....               | 1            |
| 36.         | 22580     | Screw .....                             | 2            |
| 37.         | 36223A    | Cover Thread Take-up .....              | 1            |
| 38.         | 22580     | Screw .....                             | 2            |
| 39.         | 35895Y    | Crankshaft Thrust Collar .....          | 1            |
| 40.         | 22894AM   | Screw .....                             | 2            |
| 41.         | 35895X    | Main Shaft Coupling .....               | 1            |
| 42.         | 22519F    | Screw .....                             | 3            |
| 43.         | 22894J    | Set Screw .....                         | 4            |
| 44.         | 22894K    | Spot Screw .....                        | 2            |



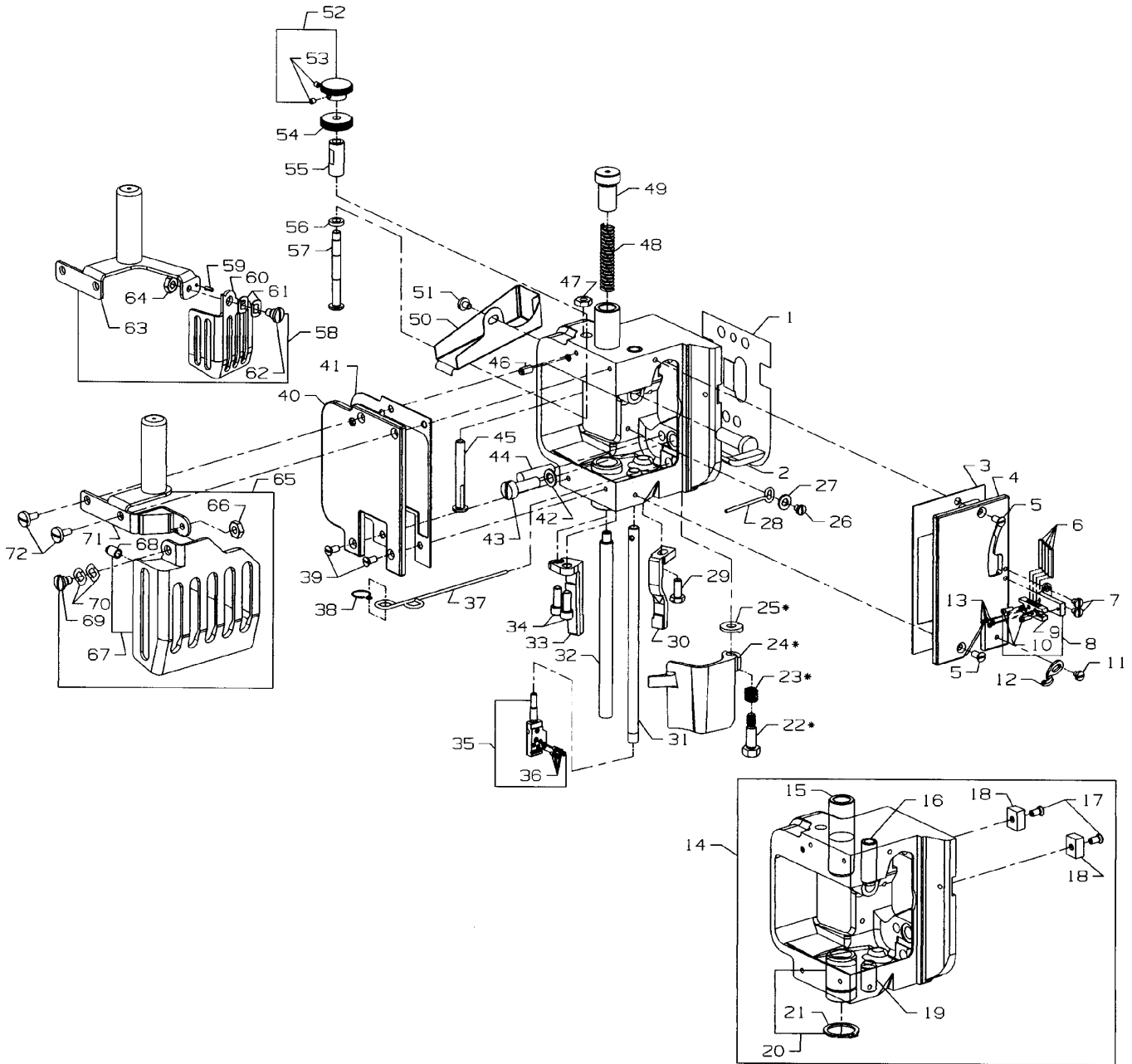
## CRANKSHAFT & NEEDLE LEVER PARTS

| Ref.<br>No. | Part No. | Description                           | Amt.<br>Req. |
|-------------|----------|---------------------------------------|--------------|
| 1.          | 36221K   | Pulley Assembly .....                 | 11           |
| 2.          | 22574    | Screw .....                           | 3            |
| 3.          | 61321L   | Clamp Plate .....                     | 1            |
| 4.          | 61321J   | Handwheel .....                       | 1            |
| 5.          | 36221D   | Pulley .....                          | 1            |
| 6.          | 22894E   | Screw, for adjustable pulley .....    | 2            |
| 7.          | 660-202  | Oil Seal Ring .....                   | 1            |
| 8.          | 35895Y   | Crankshaft Thrust Collar .....        | 1            |
| 9.          | 22894AM  | Screw .....                           | 2            |
| 10.         | 22797    | Screw .....                           | 3            |
| 11.         | 35897BY  | Pump Driving Gear .....               | 1            |
| 12.         | 22766    | Screw .....                           | 2            |
| 13.         | 36251N   | Needle Bearing Retaining Plate .....  | 1            |
| 14.         | 36251M   | Eccentric Bearing .....               | 1            |
| 15.         | 36263    | Needle Bearing Rollers .....          | 28           |
| 16.         | 35763G   | Needle Bearing Retaining Ring .....   | 4            |
| 17.         | 35862A   | Needle Lever Connecting Rod .....     | 1            |
| 18.         | 22587B   | Screw .....                           | 2            |
| 19.         | 22894W   | Screw .....                           | 1            |
| 20.         | 36222A   | Crankshaft .....                      | 1            |
| 21.         | 35763F   | Needle Bearing Rollers .....          | 28           |
| 22.         | 35847X   | Needle Lever Connecting Rod Pin ..... | 1            |
| 23.         | 77       | Screw .....                           | 2            |
| 24.         | 36264D   | Needle Lever Thread Eyelet .....      | 1            |
| 25.         | 51054A   | Link Pin .....                        | 2            |
| 26.         | 22564    | Screw .....                           | 1            |
| 27.         | 51254K   | Needle Bar Connection .....           | 1            |
| 28.         | 22562A   | Screw .....                           | 1            |
| 29.         | 56354D   | Needle Bar Link .....                 | 1            |
| 30.         | 77       | Screw .....                           | 1            |
| 31.         | 35815C   | Needle Lever .....                    | 1            |
| 32.         | 22596B   | Screw .....                           | 2            |



## TENSION PARTS

| Ref.<br>No. | Part No.    | Description  | Amt.<br>Req. |
|-------------|-------------|--|--------------|
| 1.          | 35880M      | Lift Lever Link Connection .....                     | 1            |
| 2.          | 22894J      | Screw .....  | 1            |
| 3.          | 36280V      | Lifter Lever Link Assembly .....                     | 1            |
| 4.          | 22585C      | Screw .....  | 2            |
| 5.          | 36280U      | Lifter Lever Link .....                              | 1            |
| 6.          | 86          | Screw .....  | 2            |
| 7.          | 36280A      | Presser Foot Lifter Stop Plunger .....               | 1            |
| 8.          | 36280C      | Stop Plunger Segment .....                           | 1            |
| 9.          | 36280D      | Stop Plunger Segment Pin .....                       | 1            |
| 10.         | 258A        | Nut .....  | 1            |
| 11.         | 22519       | Screw, for stop plunger segment pin .....            | 1            |
| 12.         | 36280W      | Presser Bar Lifter Lever .....                       | 1            |
| 13.         | 22839D      | Screw .....  | 1            |
| 14.         | 36280T      | Lifter Lever Connecting Link .....                   | 1            |
| 15.         | 36280S      | Presser Foot Connection Lifter Lever .....           | 1            |
| 16.         | 660-254C    | Retaining Ring .....                                 | 2            |
| 17.         | 22517       | Screw, for presser foot lifter bearing bracket ..... | 1            |
| 18.         | 36280N      | Presser Foot Lifter Bearing Bracket .....            | 1            |
| 19.         | 255         | Screw .....  | 1            |
| 20.         | 36298H      | Tension Support .....                                | 1            |
| 21.         | 36298G      | Tension Thread Eyelet .....                          | 3            |
| 22.         | 94          | Screw, for tension support .....                     | 2            |
| 23.         | 22517       | Screw, for tension plate bracket .....               | 2            |
| 24.         | 36292M      | Tension Plate Bracket .....                          | 2            |
| 25.         | 22585A      | Screw, for tension post .....                        | 6            |
| 26.         | 35792T      | Tension Disc Release Pin .....                       | 7            |
| 27.         | 36292K      | Spring, for tension release shaft .....              | 1            |
| 28.         | 36292N      | Tension Release Shaft .....                          | 1            |
| 29.         | 22784F      | Screw .....  | 1            |
| 30.         | C50092S     | Tension Nut .....                                    | 6            |
| 31.         | 39592AK     | Tension Spring Ferrule .....                         | 6            |
| 32.         | 51292F-2    | Tension Spring, for cover thread .....               | 1            |
| -           | 51292F-4    | Tension Spring, for looper thread .....              | 1            |
| -           | 51292F-5    | Tension Spring, for needle thread .....              | 4            |
| 33.         | W56392F     | Shield, for tension spring .....                     | 6            |
| 34.         | 35792       | Tension Disc, large .....                            | 6            |
| 35.         | 109         | Tension Disc, small .....                            | 6            |
| 36.         | 36292Q      | Tension Post .....                                   | 6            |
| 37.         | 36266A      | Thread Guide Assembly .....                          | 1            |
| 38.         | 22894BK     | Screw Post .....                                     | 1            |
| 39.         | 94          | Screw .....  | 2            |
| 40.         | 36283R      | Mounting Bracket .....                               | 2            |
| 41.         | SS7090910TP | Screw .....  | 2            |
| 42.         | 36266       | Eyelet Tube .....                                    | 2            |
| 43.         | 36283U      | Eyelet Tube Holder .....                             | 2            |
| 44.         | SS7110840SP | Screw .....  | 4            |
| 45.         | 36283T      | Bracket, Tube .....                                  | 1            |
| 46.         | 36283S      | Eyelet Plate .....                                   | 1            |
| 47.         | B3319704L00 | Eyelet .....   | 6            |



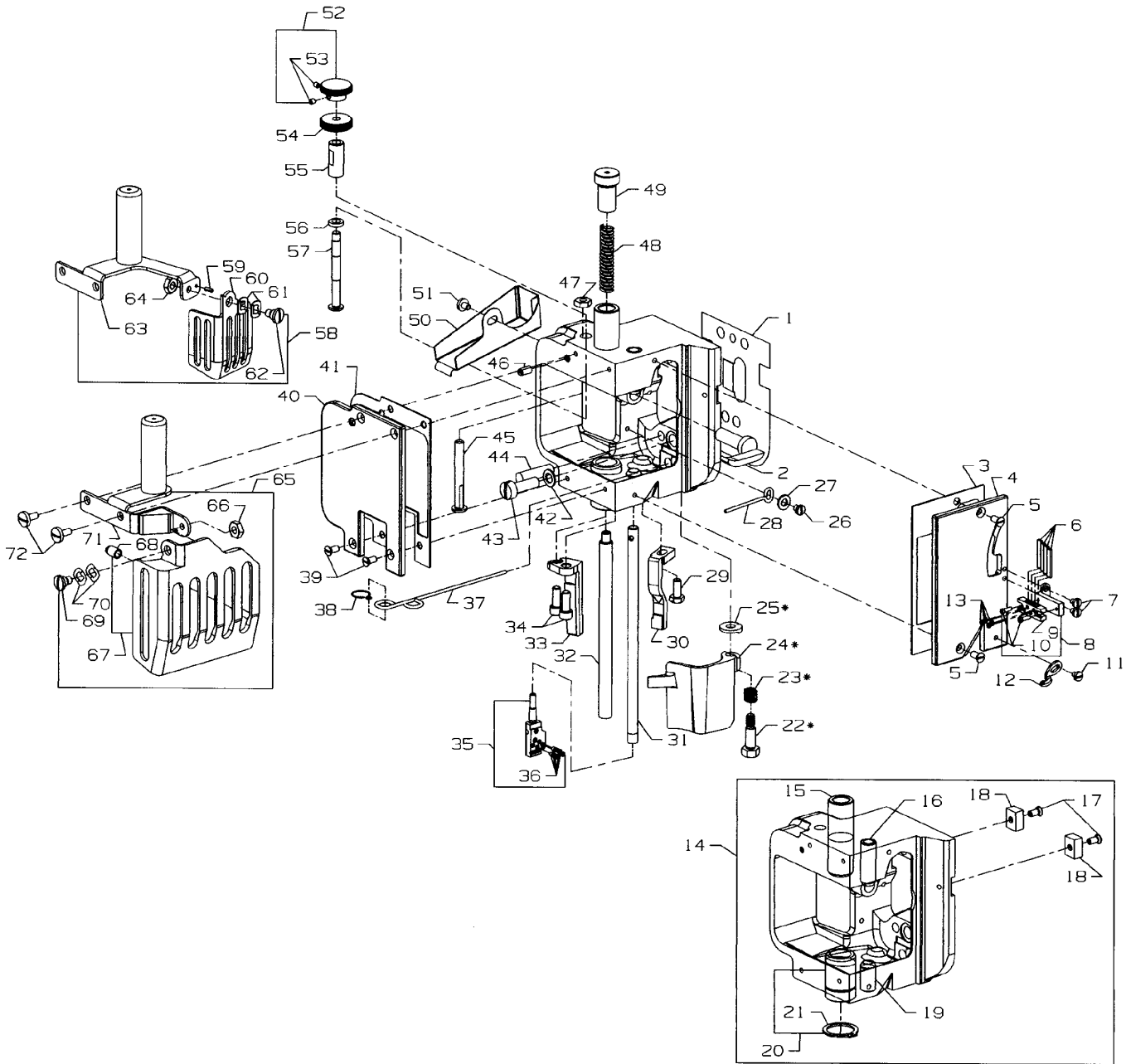
\* Items 22, 23, 24, 25, and spanner wrench 21388Y are all part of kit 29480AZJ



**DETACHABLE HEAD, HEAD COVERS, NEEDLE BAR & NEEDLE BAR HEAD**

| Ref.<br>No. | Part No. | Description   | Amt.<br>Req. |
|-------------|----------|---|--------------|
| 1.          | 36289B   | Baffle Plate .....  | 1            |
| 2.          | 36280J   | Presser Bar Lifter Lever .....  | 1            |
| 3.          | 36289H   | Gasket, for front head cover .....  | 1            |
| 4.          | 36289    | Head Cover, front .....   | 1            |
| 5.          | 22524    | Screw, for front head cover .....   | 2            |
| 6.          | 36264B   | Needle Thread Strike-off Pin .....  | 4            |
| 7.          | 28       | Screw, for needle thread take-up .....                                    | 2            |
| 8.          | 36264E   | Needle Thread Take-up, complete .....                                     | 1            |
| 9.          | 36264F   | Strike-off Pin Holder .....   | 1            |
| 10.         | 22738C   | Screw, for needle thread take-up .....                                    | 2            |
| 11.         | 28       | Screw, for cover thread eyelet .....                                      | 1            |
| 12.         | 51259    | Cover Thread Eyelet, for all styles except 36200UX52, UX60 .....          | 1            |
| 13.         | 28A      | Screw, for needle thread take-up .....                                    | 4            |
| 14.         | 36229B   | Detachable Sewing Head .....  | 1            |
| -           | 36229F   | Detachable Sewing Head, for styles 36200UY52, UY60 .....                  | 1            |
| 15.         | 36278A   | Presser Bar Bushing .....   | 1            |
| 16.         | 35859D   | Needle Bar Bushing, upper .....   | 1            |
| 17.         | 22524    | Screw .....   | 2            |
| 18.         | 35767    | Sewing Head Key .....   | 2            |
| 19.         | 35859J   | Needle Bar Bushing, lower .....   | 1            |
| 20.         | 36251D   | Cover Thread Carrier and Hook Driving Sleeve Bushing .....                | 1            |
| 21.         | 660-261  | Retaining Ring .....  | 1            |
| 22.         | 22777B   | Screw, for frame chip guard .....   | 1            |
| 23.         | 36279L   | Spring, for frame chip guard, for all styles except 36200UX52, UX60 ..... | 1            |
| -           | 36279B   | Spring, for frame chip guard, for styles 36200UX52, UX60 .....            | 1            |
| 24.         | 36279N   | Frame Chip Guard, for all styles except 36200UX52, UX60 .....             | 1            |
| 25.         | 36279M   | Washer, for frame chip guard, for all styles except 36200UX52, UX60 ..... | 1            |
| -           | 36279A   | Washer, for frame chip guard, for styles 36200UX52, UX60 .....            | 1            |
| 26.         | 22513    | Screw, for oil deflector .....  | 1            |
| 27.         | 8372A    | Washer .....  | 1            |
| 28.         | 36294C   | Oil Deflector .....   | 1            |
| 29.         | 22881A   | Screw, for right presser foot guide .....                                 | 1            |
| 30.         | 36278K   | Presser Foot Guide, right .....   | 1            |
| -           | 36278S   | Presser Foot Guide, right, for styles 36200UY52, UY60 .....               | 1            |
| 31.         | 35817E   | Needle Bar .....  | 1            |
| 32.         | 36278    | Presser Bar .....   | 1            |

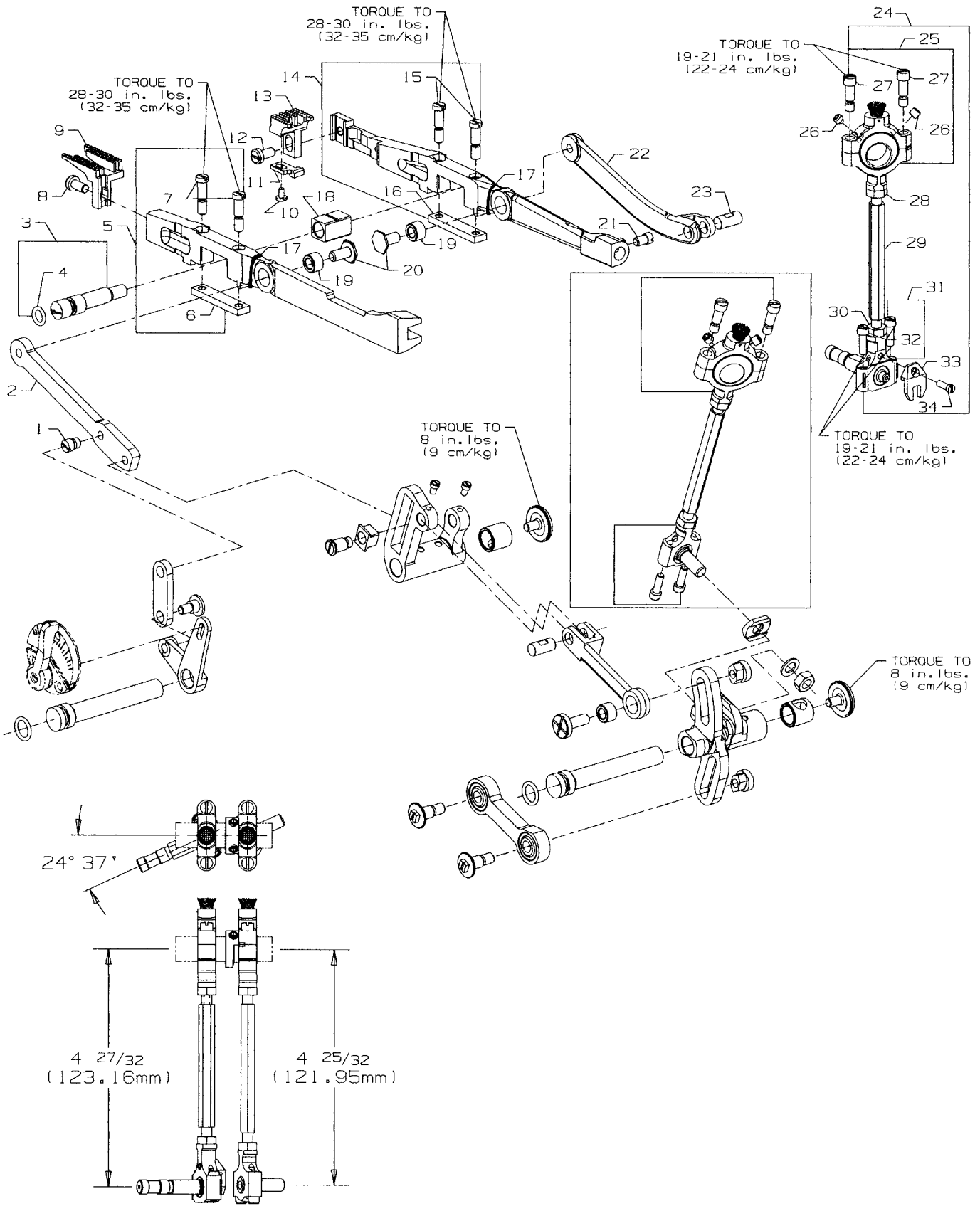
33. thru 72. See Following page



\* Items 22, 23, 24, 25, and spanner wrench 21388Y are all part of kit 29480AZJ

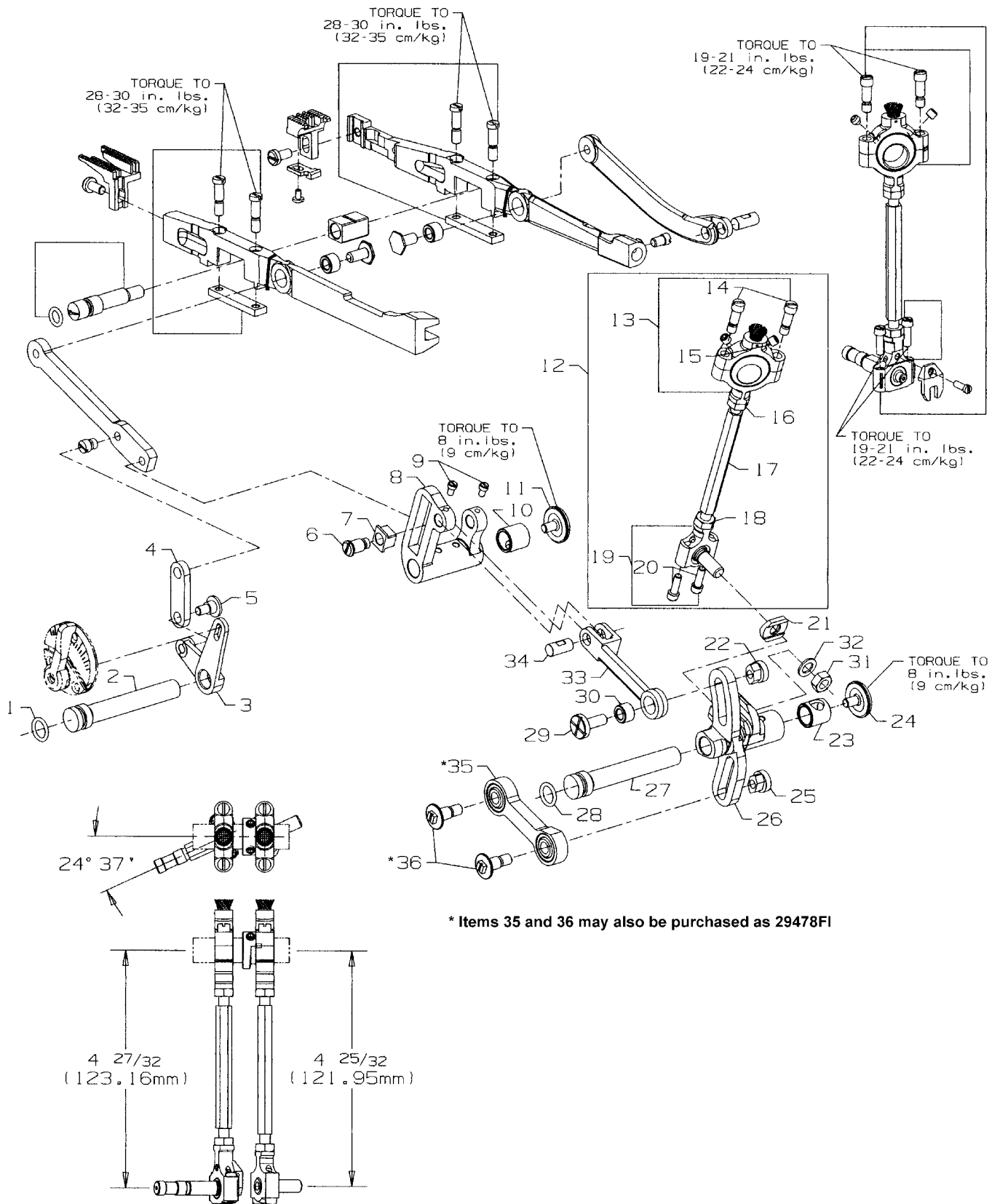
**DETACHABLE HEAD, HEAD COVERS, NEEDLE BAR & NEEDLE BAR HEAD**

| Ref.                           |             |   | Amt. |
|--------------------------------|-------------|---|------|
| No.                            | Part No.    | Description   | Req. |
| 1. thru 32. See Preceding page |             |   |      |
| 33.                            | 36278L      | Presser Foot Guide, left .....  | 1    |
| -                              | 36278R      | Presser Foot Guide, left, for styles 36200UY52, UY60 .....                    | 1    |
| 34.                            | 22653B-8    | Screw, for left presser foot guide .....                                      | 2    |
| 35.                            | 36218       | Needle Head, for styles 36200UA52, UAE52, UE52, UAK52, UH52, UX52, UY52 ..... | 1    |
| -                              | 36218J      | Needle Head, for styles 36200UE60, UJ60, UJE60, UM60, UX60, UY60 .....        | 1    |
| 36.                            | 22738H      | Screw, for needles and retainer .....   | 5    |
| 37.                            | CQ200000000 | Yarn, Oil Wick .....  | 1    |
| 38.                            | 35897CK     | Oil Wick Hook .....   | 1    |
| 39.                            | 22524       | Screw, for left head cover .....  | 2    |
| 40.                            | 36289A      | Head Cover, left .....  | 1    |
| 41.                            | 36289J      | Gasket, for left head cover .....   | 1    |
| 42.                            | 6042A       | Washer .....  | 1    |
| 43.                            | 318         | Screw, for connecting head to main frame .....                                | 1    |
| 44.                            | 664F-16     | Taper Pin .....   | 1    |
| 45.                            | 36278H      | Presser Bar Guide Stud .....  | 1    |
| 46.                            | 22560A      | Screw, for presser bar guide stud .....                                       | 1    |
| 47.                            | 12538       | Nut, for presser bar guide stud .....   | 1    |
| 48.                            | 36278F      | Spring, for presser bar .....   | 1    |
| -                              | 36278U      | Spring, for presser bar, for styles 36200UY52, UY60 .....                     | 1    |
| 49.                            | 36278M      | Presser Bar Regulating Screw .....  | 1    |
| 50.                            | 36294B      | Lifter Lever Link Connection .....  | 1    |
| 51.                            | 22585C      | Screw .....   | 1    |
| 52.                            | 660-1131    | Knurled Knob, for styles 36200UY52, UY60 .....                                | 1    |
| 53.                            | 28C         | Screw .....   | 2    |
| 54.                            | 660-1130    | Knurled Nut, for styles 36200UY52, UY60 .....                                 | 1    |
| 55.                            | 36290E      | Threaded Sleeve, for Hanging Foot, for styles 36200UY52, UY60 .....           | 1    |
| 56.                            | 36237M      | Collar Bumper, for styles 36200UY52, UY60 .....                               | 1    |
| 57.                            | 36278T      | Screw Stud, for Hanging Foot, for styles 36200UY52, UY60 .....                | 1    |
| 58.                            | 29476YN     | Sewing Guard Assembly, for style 36200UX52 .....                              | 1    |
| 59.                            | PS0200062KH | Roll Pin .....  | 1    |
| 60.                            | 36296C      | Sewing Guard .....  | 1    |
| 61.                            | WZ0641510KP | Spring Washer .....   | 2    |
| 62.                            | 22758E      | Screw .....   | 1    |
| 63.                            | 36283M      | Mounting Bracket .....  | 1    |
| 64.                            | 9937        | Nut .....   | 1    |
| 65.                            | 29476YP     | Sewing Guard Assembly, for all styles except 36200UX52 .....                  | 1    |
| 66.                            | 9937        | Nut .....   | 1    |
| 67.                            | 35896D      | Sewing Guard .....  | 1    |
| 68.                            | 666-340A    | Bumper Plug .....   | 1    |
| 69.                            | 22758E      | Screw .....   | 1    |
| 70.                            | WZ0641510KP | Spring Washer .....   | 2    |
| 71.                            | 36283P      | Mounting Bracket .....  | 1    |
| 72.                            | 22585B      | Screw .....   | 2    |



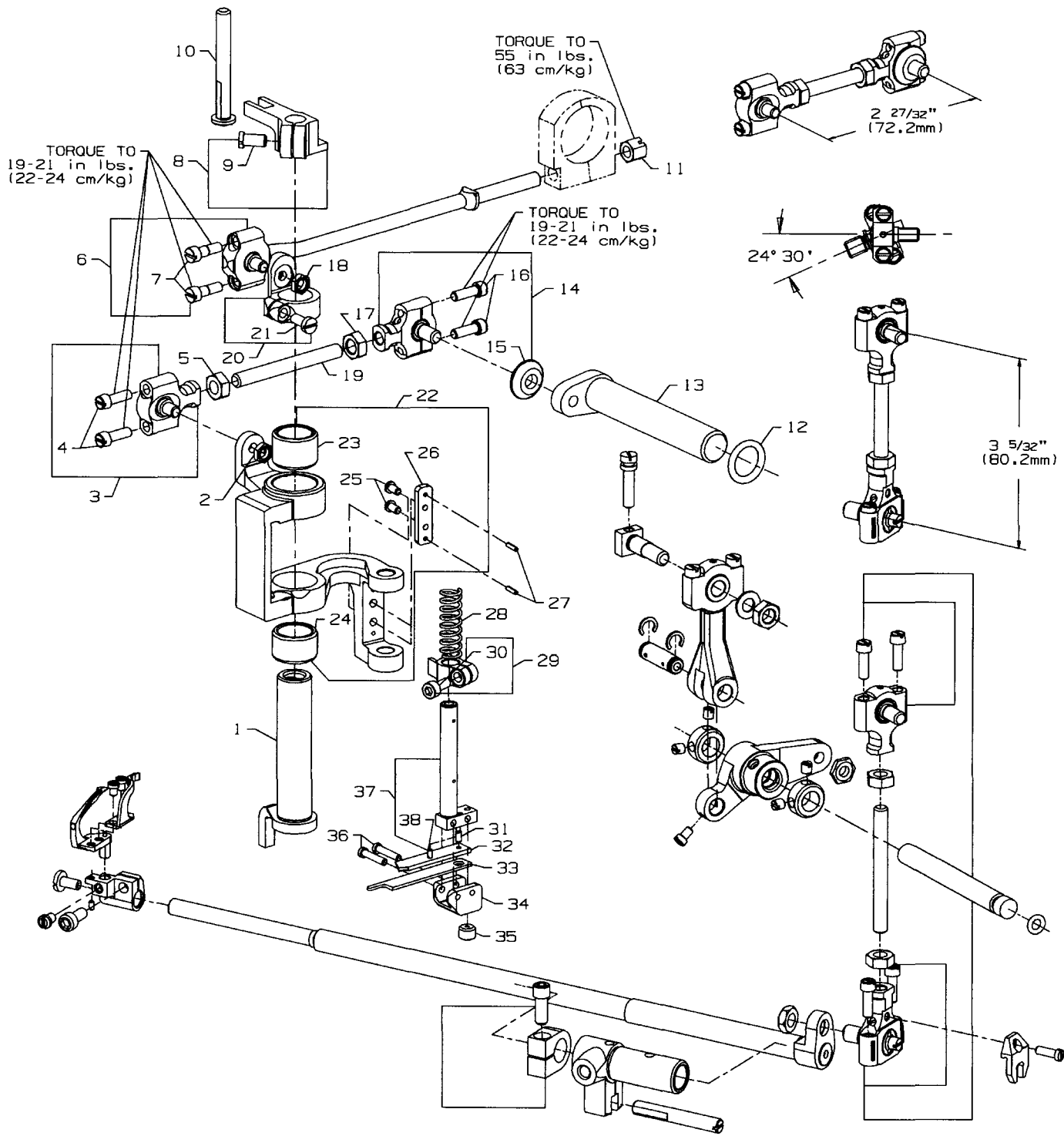
## DIFFERENTIAL & MAIN FEED BARS, FEED DOGS & FEED LIFT ECCENTRIC ASSEMBLY

| Ref.<br>No. | Part No.   | Description   | Amt.<br>Req. |
|-------------|------------|---|--------------|
| 1.          | 22845M     | Screw, for differential feed bar driving link .....   | 1            |
| 2.          | 36236F     | Differential Feed Bar Driving Link .....  | 1            |
| 3.          | 36234M     | Feed Bar Eccentric Stud .....   | 1            |
| 4.          | 660-220    | "O" Ring .....  | 1            |
| 5.          | 36234F     | Differential Feed Bar .....   | 1            |
| 6.          | 36234G     | Feed Bar Plate .....  | 1            |
| 7.          | 22587H     | Screw .....   | 2            |
| 8.          | 22528      | Screw, for differential feed dog .....  | 1            |
| 9.          | 36226A     | Differential Feed Dog, marked "FV", 14 teeth per inch, for Styles 36200UA52,<br>UAE52, UAK52, UE52, UE60, UJ60, UJE60, UX52, UX60 ..... | 1            |
| -           | 36226B     | Differential Feed Dog, marked "PB", 16 teeth per inch .....   | 1            |
| -           | 36226K     | Differential Feed Dog, 16 teeth per inch, for styles 36200UY52, UY60 .....  | 1            |
| -           | 36226H     | Differential Feed Dog, marked "PQ", 14 teeth per inch, .050" (1.27mm) step<br>on right side, for styles 36200UH52 .....                 | 1            |
| -           | 36226J     | Differential Feed Dog, marked "VU", 16 teeth per inch, .050" (1.27mm) step<br>on right side, for styles 36200UM60 .....                 | 1            |
| 10.         | 87U        | Screw, for needle guard .....   | 1            |
| 11.         | 36225      | Needle Guard all styles except 36200UAK52 .....   | 1            |
| -           | 36225A     | Needle Guard for style 36200UAK52 .....   | 1            |
| 12.         | 22528      | Screw, for main feed dog .....  | 1            |
| 13.         | 36205A     | Main Feed Dog, marked "PK", 14 teeth per inch, for Styles 36200UA52,<br>UAE52, UAK52, UE52, UE60, UJ60, UJE60, UX52, UX60 .....         | 1            |
| -           | 36205B     | Main Feed Dog, marked "PL", 16 teeth per inch .....   | 1            |
| -           | 36205N     | Main Feed Dog, 16 teeth per inch, for styles 36200UY52, UY60 .....  | 1            |
| -           | 36205H     | Main Feed Dog, marked "PR", 14 teeth per inch, .050" (1.27mm) step on<br>right side, for styles 36200UH52 .....                         | 1            |
| -           | 36205J     | Main Feed Dog, marked "VV", 16 teeth per inch, .050" (1.27mm) step on<br>right side, for styles 36200UM60 .....                         | 1            |
| 14.         | 36234E     | Main Feed Bar .....   | 1            |
| 15.         | 22578H     | Screw .....   | 2            |
| 16.         | 36234G     | Feed Bar Plate .....  | 1            |
| 17.         | CQ00000000 | Yarn .....  | 2            |
| 18.         | 36234C     | Feed Bar Slide Block .....  | 1            |
| 19.         | 36236H     | Bushing .....   | 2            |
| 20.         | 36236G     | Driving Link Stud .....   | 2            |
| 21.         | 33174B     | Screw .....   | 1            |
| 22.         | 36236E     | Main Feed Bar Drive Link .....  | 1            |
| 23.         | 62238A     | Link Pin .....  | 1            |
| 24.         | 29478CS    | Feed Lift Eccentric Assembly .....  | 1            |
| 25.         | 29103T     | Feed Lift Eccentric Assembly Ball Joint .....   | 1            |
| 26.         | 22894W     | Set Screw .....   | 2            |
| 27.         | 22587E     | Screw .....   | 2            |
| 28.         | 269        | Nut, left thread .....  | 1            |
| 29.         | 36244      | Connecting Rod .....  | 1            |
| 30.         | 18         | Nut, right thread .....   | 1            |
| 31.         | 36244A     | Ball Joint, complete .....  | 1            |
| 32.         | 22729C     | Screw .....   | 2            |
| 33.         | 41255B     | Ball Fork .....   | 1            |
| 34.         | 22747      | Screw, for ball fork .....  | 1            |



## FEED DRIVE ASSEMBLY, FEED ROCKER & LOOPER AVOID PARTS

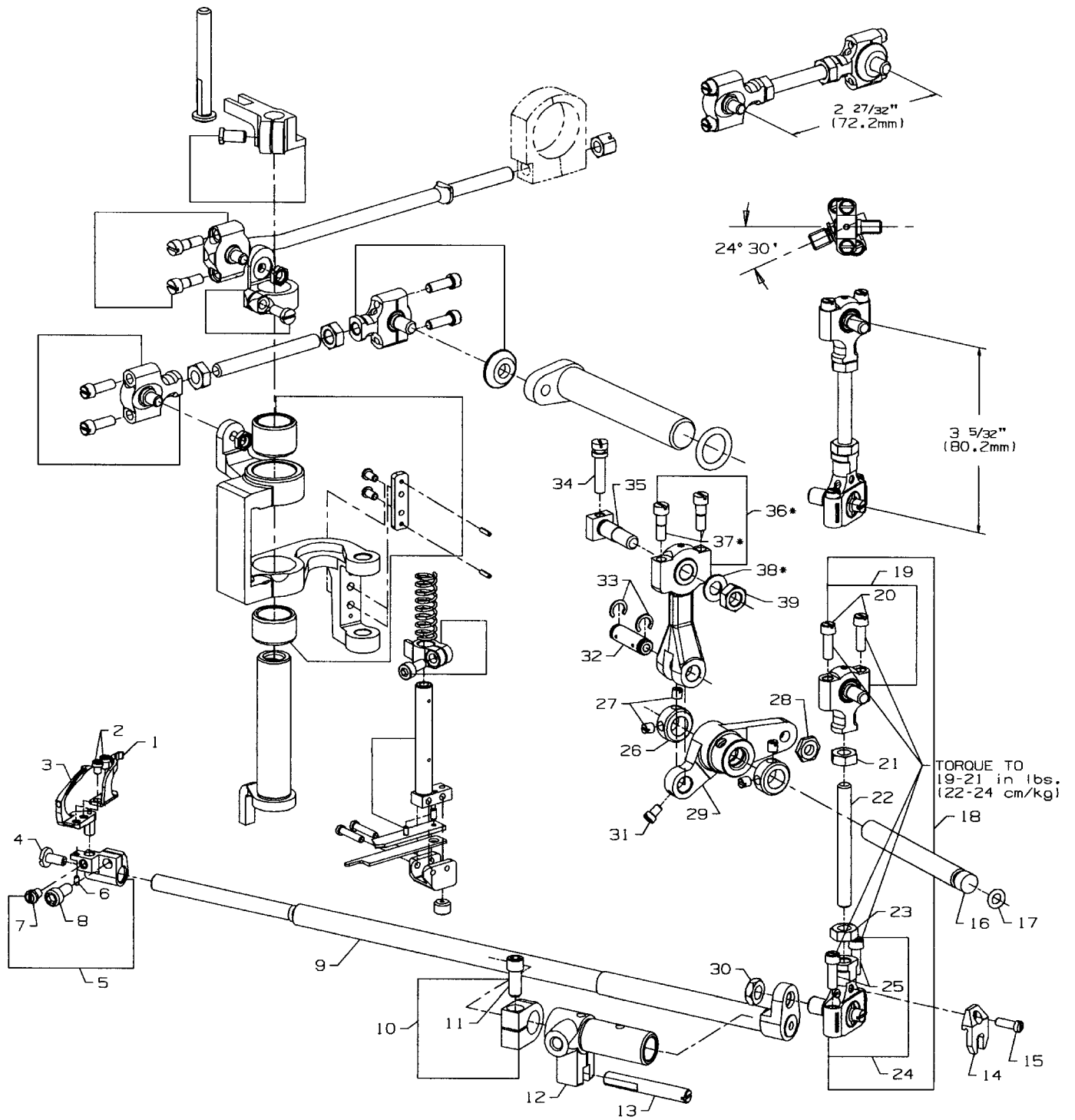
| Ref.<br>No. | Part No. | Description                                      | Amt.<br>Req. |
|-------------|----------|--|--------------|
| 1.          | 660-207  | Oil Seal Ring .....                              | 1            |
| 2.          | 36236A   | Feed Rocker Shaft .....                          | 1            |
| 3.          | 36237    | Differential Feed Adjusting Lever .....          | 1            |
| 4.          | 36237A   | Differential Feed Adjusting Link .....           | 1            |
| 5.          | 22504C   | Screw .....                                      | 1            |
| 6.          | 36236J   | Differential Driving Link Stud .....             | 1            |
| 7.          | 36236K   | Differential Feed Driving Link Slide Block ..... | 1            |
| 8.          | 36236    | Feed Rocker .....                                | 1            |
| 9.          | 77       | Screw .....                                      | 2            |
| 10.         | 36236B   | Bushing .....                                    | 1            |
| 11.         | 22733G   | Screw .....                                      | 1            |
| 12.         | 29478CT  | Feed Drive Assembly .....                        | 1            |
| 13.         | 29101J   | Feed Drive Eccentric Assembly .....              | 1            |
| 14.         | 22587E   | Screw .....                                      | 2            |
| 15.         | 22894W   | Set Screw .....                                  | 2            |
| 16.         | 269      | Nut, left thread .....                           | 1            |
| 17.         | 43246    | Connecting Rod .....                             | 1            |
| 18.         | 18       | Nut, right thread .....                          | 1            |
| 19.         | 35846    | Ball Joint .....                                 | 1            |
| 20.         | 22729C   | Screw .....                                      | 2            |
| 21.         | 35846B   | Washer .....                                     | 1            |
| 22.         | 35866    | Nut .....  | 1            |
| 23.         | 36236B   | Bushing .....                                    | 1            |
| 24.         | 22733G   | Screw .....                                      | 1            |
| 25.         | 35766B   | Nut .....  | 1            |
| 26.         | 35842J   | Feed Drive and Looper Avoid Drive Lever .....    | 1            |
| 27.         | 36236A   | Feed Drive Shaft .....                           | 1            |
| 28.         | 660-207  | Oil Seal Ring .....                              | 1            |
| 29.         | 35836C   | Screw, for feed rocker driving link .....        | 1            |
| 30.         | 36236H   | Bushing .....                                    | 1            |
| 31.         | 258      | Nut .....  | 1            |
| 32.         | 6042A    | Washer .....                                     | 1            |
| 33.         | 36236C   | Feed Rocker Driving Link .....                   | 1            |
| 34.         | 62238A   | Link Pin .....                                   | 1            |
| 35.         | 35851S   | Connecting Rod .....                             | 1            |
| 36.         | 35851P   | Screw .....                                      | 2            |





## KNIFE DRIVING PARTS

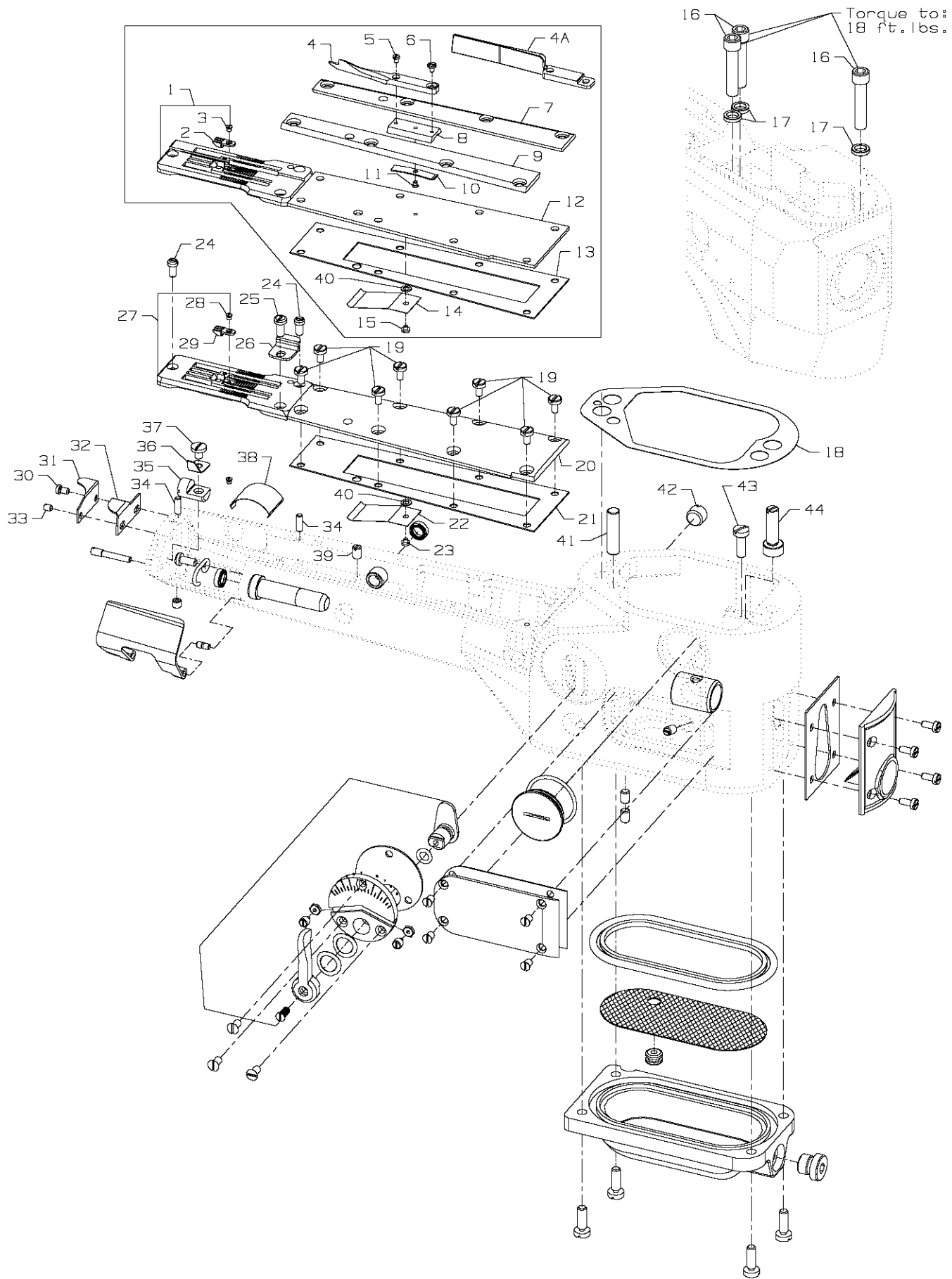
| Ref.<br>No. | Part No. | Description  | Amt.<br>Req. |
|-------------|----------|--|--------------|
| 1.          | 36251B   | Cover Thread Carrier and Hook Driving Sleeve .....                               | 1            |
| 2.          | 12934A   | Nut .....  | 1            |
| 3.          | 52848B   | Knife Drive Connection Ball Joint, left .....                                    | 1            |
| 4.          | 22729C   | Screw .....  | 2            |
| 5.          | 18       | Nut, right thread .....  | 1            |
| 6.          | 36251P   | Cover Thread Carrier and Hook Driving Connection Rod Ball Joint .....            | 1            |
| 7.          | 97A      | Screw .....  | 2            |
| 8.          | 36278J   | Presser Bar Guide .....  | 1            |
| 9.          | 22569G   | Screw .....  | 1            |
| 10.         | 36278H   | Presser Bar Guide Stud, except UY52, UY60 .....                                  | 1            |
| 11.         | 52841H   | Nut .....  | 1            |
| 12.         | 660-202  | Oil Seal Ring .....  | 1            |
| 13.         | 36261    | Knife Drive Lever .....  | 1            |
| 14.         | 52848C   | Knife Drive Connection Ball Joint, right .....                                   | 1            |
| 15.         | 36G      | Washer .....   | 1            |
| 16.         | 22729C   | Screw .....  | 2            |
| 17.         | 269      | Nut, left thread .....   | 1            |
| 18.         | 12934A   | Nut .....  | 1            |
| 19.         | 4761     | Knife Drive Connecting Rod .....   | 1            |
| 20.         | 36251C   | Sleeve Driving Lever, for styles 36200UA52, UAE52, UAK52, UE52, UH52, UX52, UY52 | 1            |
| -           | 36251V   | Sleeve Driving Lever 36200UJ60, UJE60, UM60, UX60, UY60 .....                    | 1            |
| 21.         | 22585    | Screw .....  | 1            |
| 22.         | 36273M   | Knife Driving Bracket .....  | 1            |
| 23.         | 36273F   | Bushing .....  | 1            |
| 24.         | 36273N   | Bushing .....  | 1            |
| 25.         | 605A     | Screw .....  | 2            |
| 26.         | 36273J   | Knife Holder Guide Plate .....   | 1            |
| 27.         | 660-219D | Roll Pin .....   | 2            |
| 28.         | 36273C   | Knife Holder Spring .....  | 1            |
| 29.         | 36273K   | Knife Holder Guide Collar .....  | 1            |
| 30.         | 22729M   | Screw .....  | 1            |
| 31.         | 22799N   | Screw .....  | 1            |
| 32.         | 36273D   | Knife Support .....  | 1            |
| 33.         | 36270B   | Knife, upper .....   | 1            |
| 34.         | 36273G   | Knife Holder .....   | 1            |
| 35.         | 22894X   | Screw .....  | 1            |
| 36.         | 22767A   | Screw .....  | 2            |
| 37.         | 36273A   | Knife Holder Shank .....   | 1            |
| 38.         | 1096B    | Screw .....  | 1            |



\*Items 36, 37, 38, are part of  
 Looper Drive connection kit 29478FG

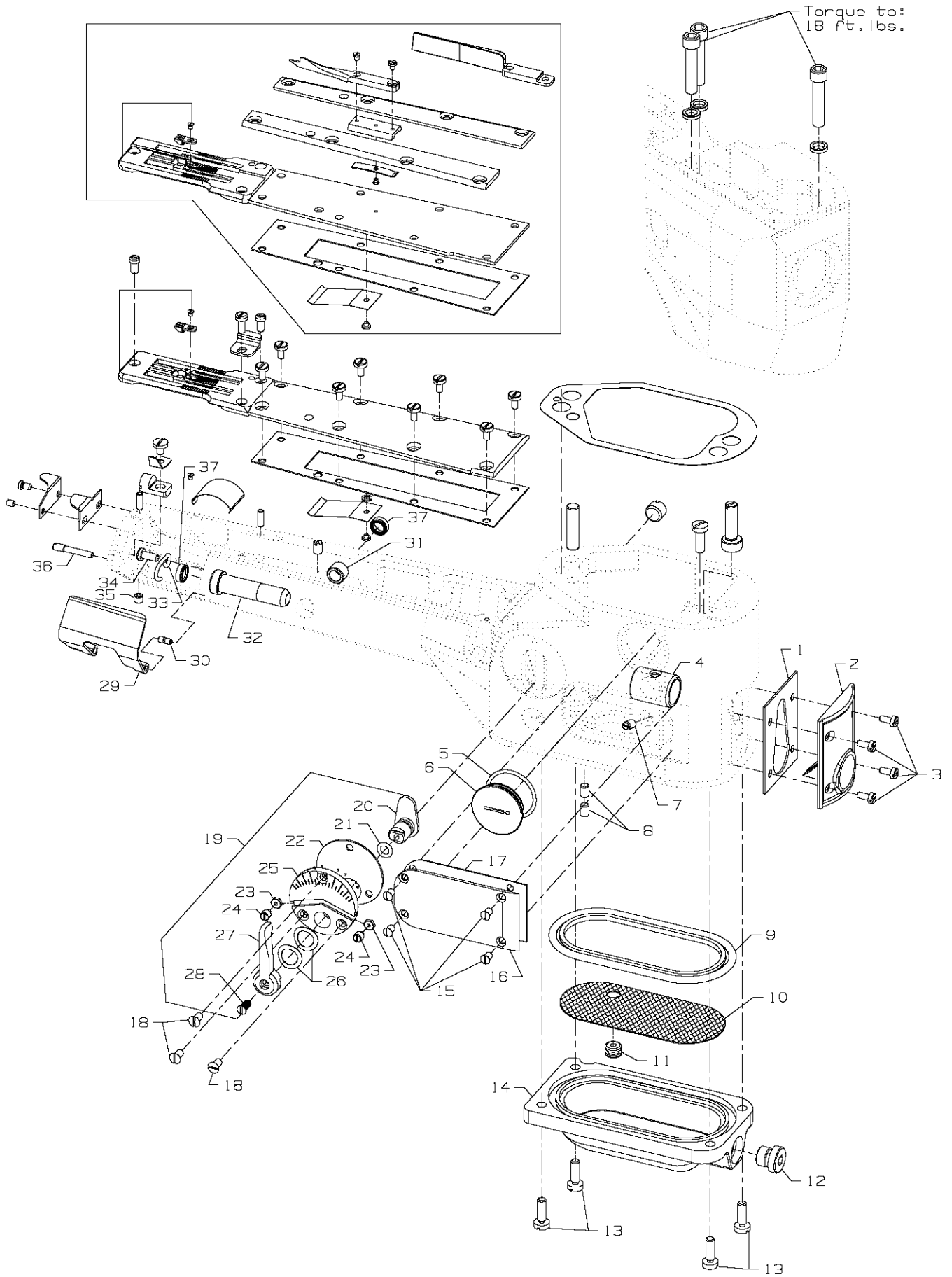
## LOOPER ROCKER SHAFT & LOOPER ROCKER DRIVE PARTS

| Ref.<br>No. | Part No. | Description  | Amt.<br>Req. |
|-------------|----------|--|--------------|
| 1.          | 36210    | Looper Mounted Needle Guard, marked "FZ" .....             | 1            |
| 2.          | 604      | Screw, for needle guard .....                              | 2            |
| 3.          | 36208A   | Looper .....   | 1            |
| 4.          | 22585A   | Screw .....  | 1            |
| 5.          | 36248    | Looper Holder .....  | 1            |
| 6.          | 1096B    | Looper Adjusting Screw .....                               | 1            |
| 7.          | 22564D   | Screw .....  | 1            |
| 8.          | 22652A-6 | Screw .....  | 1            |
| 9.          | 36249    | Looper Rocker Shaft .....                                  | 1            |
| 10.         | 35751G   | Looper Shaft Collar .....                                  | 1            |
| 11.         | 22572B   | Screw .....  | 1            |
| 12.         | 36249B   | Looper Shaft Sleeve .....                                  | 1            |
| 13.         | 36278C   | Guide Stud .....   | 1            |
| 14.         | 41255B   | Ball Fork .....  | 1            |
| 15.         | 22747    | Screw .....  | 1            |
| 16.         | 36253B   | Looper Drive Lever Shaft .....                             | 1            |
| 17.         | 660-221  | Oil Seal Ring .....  | 1            |
| 18.         | 29478CU  | Looper Drive Connecting Rod Assembly .....                 | 1            |
| 19.         | 35851L   | Ball Joint, upper .....                                    | 1            |
| 20.         | 22729C   | Screw .....  | 2            |
| 21.         | 269      | Nut, left thread .....                                     | 1            |
| 22.         | 4761     | Connecting Rod .....                                       | 1            |
| 23.         | 18       | Nut, right thread .....                                    | 1            |
| 24.         | 39145A   | Ball Joint, lower .....                                    | 1            |
| 25.         | 22729C   | Screw .....  | 2            |
| 26.         | 12865    | Collar .....   | 2            |
| 27.         | 88       | Screw .....  | 2            |
| 28.         | 15037A   | Nut .....  | 1            |
| 29.         | 36253A   | Looper Drive Lever .....                                   | 1            |
| 30.         | 258A     | Nut .....  | 1            |
| 31.         | 77       | Screw .....  | 1            |
| 32.         | 52336    | Link Pin .....   | 1            |
| 33.         | 660-215  | Retaining Ring .....                                       | 2            |
| 34.         | 22795B   | Screw .....  | 1            |
| 35.         | 36253G   | Looper Drive Crank Stud .....                              | 1            |
| 36.         | 36245B   | Looper Drive Connecting Rod and Ferrule Sub-Assembly ..... | 1            |
| 37.         | 97A      | Screw .....  | 1            |
| 38.         | 53636C   | Washer .....   | 1            |
| 39.         | 269      | Nut, left thread .....                                     | 1            |



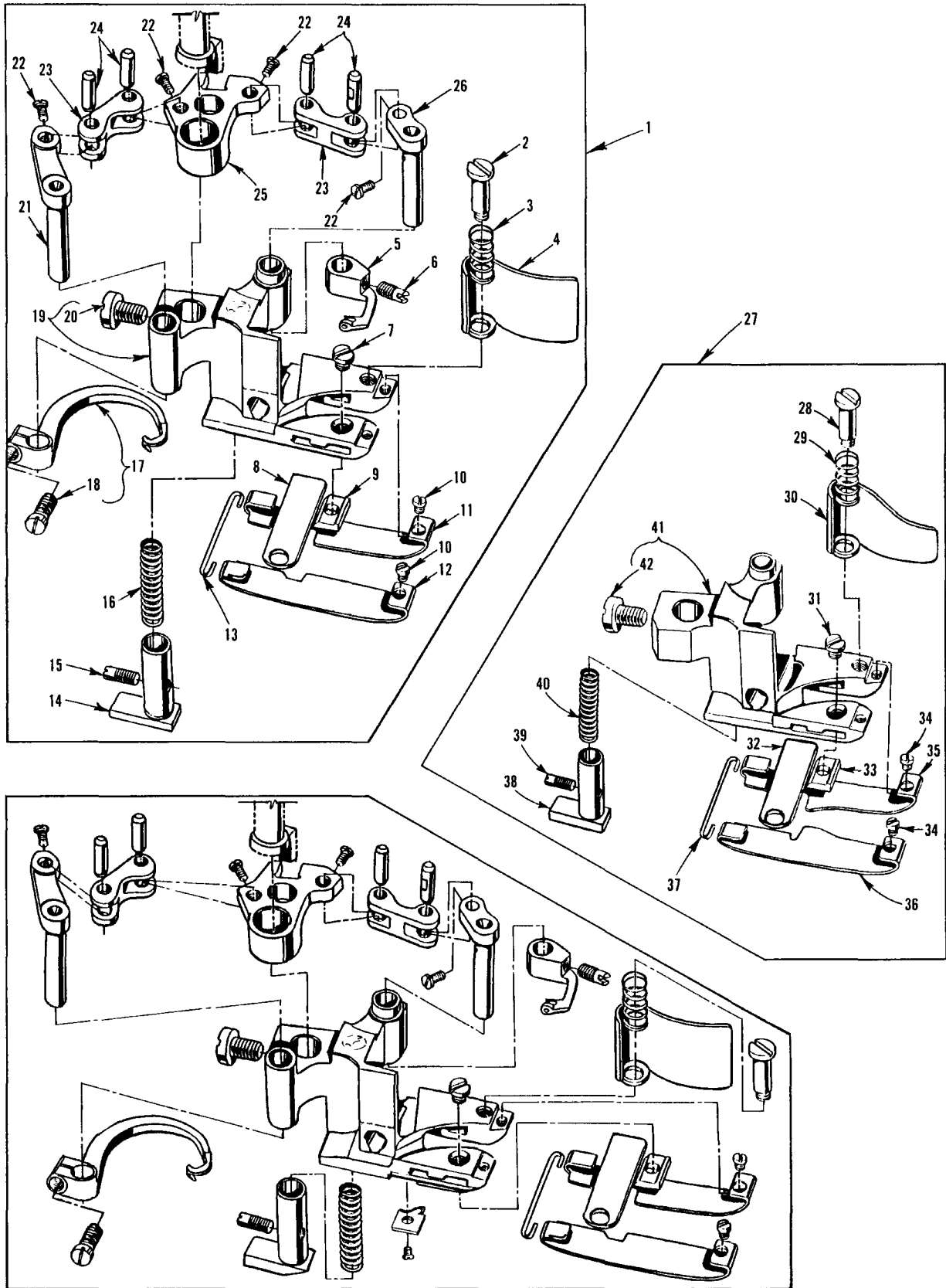
LAP FORMER, MISCELLANEOUS CYLINDER COVERS, THROAT PLATE, & CHAIN CUTTING KNIFE

| Ref. No. | Part No.  | Description  | Amt. Req. |
|----------|-----------|--|-----------|
| 1.       | 36224H    | Throat Plate, .050" (1.27mm) step on right side, Styles 36200 UH52 .....                     | 1         |
| -        | 36224K    | Throat Plate, .050" (1.27mm) step on right side, Styles 36200 UM60 .....                     | 1         |
| 2.       | 36240     | Stitch Tongue, marked "D", for Throat Plate 36224H .....                                     | 1         |
| -        | 36240J    | Stitch Tongue, marked "AC", for Throat Plate 36224K .....                                    | 1         |
| 3.       | 22716A    | Screw, stitch tongue .....   | 1         |
| 4.       | 23420DB   | Lap Former, for styles 36200UE52, UE60, UH52, UM60 .....                                     | 1         |
| 4A.      | 23420DH   | Lap Former, for styles 36200UY52, UY60 .....   | 1         |
| 5.       | 22738B    | Screw, for lap former .....  | 1         |
| 6.       | 73A       | Screw, for lap former .....  | 1         |
| 7.       | 36283J    | Gib, right, for styles 36200UE52, UE60, UH52, UM60, UY52, UY60 .....                         | 1         |
| 8.       | 23423X    | Lap Former Slide Block, for styles 36200UE52, UE60, UH52, UM60, UY52, UY60 .....             | 1         |
| 9.       | 36283H    | Gib, left, for styles 36200UE52, UE60, UH52, UM60, UY52, UY60 .....                          | 1         |
| 10.      | 23424Z    | Spring, for lap former slide block, for styles 36200UE52, UE60, UH52, UM60, UY52, UY60..     | 1         |
| 11.      | 22716A    | Screw, for lap former slide block spring, for styles 36200UE52, UE60, UH52, UM60, UY52, UY60 | 1         |
| 12.      | 36283G    | Cylinder Cover, for styles 36200UE52, UE60, UH52, UM60, UY52, UY60 .....                     | 1         |
| 13.      | 36283F    | Gasket, for cylinder cover, all styles .....   | 1         |
| 14.      | 36284E    | Upper Lint Shield, all styles .....  | 1         |
| 15.      | 22798     | Screw, upper lint shield .....   | 1         |
| 16.      | 22653E-24 | Screw, for joining cylinder to main frame .....  | 3         |
| 17.      | 35876U    | Washer .....   | 3         |
| 18.      | 36284     | Gasket .....   | 1         |
| 19.      | 98A       | Screw, for cylinder cover .....  | 8         |
| 20.      | 36283E    | Cylinder Cover, for all Styles except 36200UH52, UM60 .....                                  | 1         |
| 21.      | 36283F    | Gasket, for cylinder cover .....   | 1         |
| 22.      | 36284E    | Upper Lint Shield .....  | 1         |
| 23.      | 22798     | Screw, for upper lint shield .....   | 1         |
| 24.      | 22562A    | Screw, for throat plate .....  | 3         |
| 25.      | 22849     | Screw, for edge guide .....  | 1         |
| 26.      | 36203     | Edge Guide, for Styles 36200UA52, UAE52, UAK52, UE52, UE60, UJ60, UJE60 .....                | 1         |
| 27.      | C36224A   | Throat Plate, for Styles 36200UA52, UAE52, UAK52, UE52, UX52 .....                           | 1         |
| -        | C36224J   | Throat Plate, for Styles 36200UE60, UJ60, UJE60, UX60 .....                                  | 1         |
| -        | C36224P   | Throat Plate, for Style 36200UY52 .....  | 1         |
| -        | C36224Q   | Throat Plate, for Style 36200UY60 .....  | 1         |
| 28.      | 22716A    | Screw, for stitch tongue .....   | 1         |
| 29.      | 36240     | Stitch Tongue, marked "D", for Throat Plates C36224A, C36224P .....                          | 1         |
| -        | 36240J    | Stitch Tongue, marked "AC", for Throat Plates C36224J, C36224Q .....                         | 1         |
| 30.      | 22KH      | Screw, for chain cutting knife .....   | 1         |
| 31.      | 36296B    | Guard, for chain cutting knife .....   | 1         |
| 32.      | 36296A    | Chain Cutting Knife .....  | 1         |
| 33.      | 22801     | Screw, for chain cutting knife .....   | 1         |
| 34.      | 36251K    | Dowel Pin .....  | 2         |
| 35.      | 36283C    | Cylinder Hinged Spring Support Stud .....  | 1         |
| 36.      | 36283B    | Spring .....   | 1         |
| 37.      | 22585C    | Screw, spring .....  | 1         |
| 38.      | 35884K    | Lower Lint Shield .....  | 1         |
| 39.      | 531       | Screw .....  | 1         |
| 40.      | 40-107    | Washer .....   | 1         |
| 41.      | 22571A    | Plug Screw .....   | 1         |
| 42.      | 667D-16   | Dowel Pin .....  | 1         |
| 43.      | 22596     | Screw, for feed bar eccentric stud .....   | 1         |
| 44.      | 36229A-1  | Cylinder Alignment Eccentric Pin .....   | 1         |



**CYLINDER BUSHINGS, DIFFERENTIAL FEED CONTROL ASSEMBLY & MISCELLANEOUS  
CYLINDER COVERS**

| Ref.<br>No. | Part No. | Description  | Amt.<br>Req. |
|-------------|----------|--|--------------|
| 1.          | 35884R   | Gasket, for front cylinder cover and oil gauge ..... | 1            |
| 2.          | 36284C   | Cylinder Cover and Oil Gauge, front .....            | 1            |
| 3.          | J87J     | Screw, for front cylinder cover and oil gauge .....  | 4            |
| 4.          | 36249A   | Bushing, for looper shaft, front .....               | 1            |
| 5.          | 660-1115 | "O" Ring .....                                       | 1            |
| 6.          | 22539AL  | Plug Screw .....                                     | 1            |
| 7.          | 22560A   | Screw, for guide stud .....                          | 1            |
| 8.          | 531      | Screw .....  | 2            |
| 9.          | 36284F   | Gasket, for bottom cover .....                       | 1            |
| 10.         | 36293G   | Screen, for bottom cover .....                       | 1            |
| 11.         | 661-150  | Rubber "O" Ring, for screen .....                    | 1            |
| 12.         | 999-196  | Oil Drain Plug Screw .....                           | 1            |
| 13.         | 22596    | Screw, for bottom cover .....                        | 4            |
| 14.         | 36282    | Bottom Cover .....                                   | 1            |
| 15.         | 22766    | Screw, for cylinder side cover .....                 | 4            |
| 16.         | 36286    | Cylinder Side Cover .....                            | 1            |
| 17.         | 36286B   | Gasket, for cylinder side cover .....                | 1            |
| 18.         | 87A      | Screw, for differential feed control assembly .....  | 3            |
| 19.         | 29478CZ  | Differential Feed Control Assembly, complete .....   | 1            |
| 20.         | 36237E   | Adjusting Lever .....                                | 1            |
| 21.         | 660-220  | Oil Seal Ring .....                                  | 1            |
| 22.         | 36238F   | Gasket .....   | 1            |
| 23.         | 60078Z   | Nut .....  | 2            |
| 24.         | 36237H   | Stop Screw .....                                     | 2            |
| 25.         | 36238    | Adjusting Plate .....                                | 1            |
| 26.         | 36237J   | Spring Washer .....                                  | 2            |
| 27.         | 36237K   | Operating Lever .....                                | 1            |
| 28.         | 538      | Screw .....  | 1            |
| 29.         | 36283K   | Cylinder Hinged Cover .....                          | 1            |
| 30.         | 35883G   | Pin .....  | 1            |
| 31.         | 36237L   | Bushing, for feed bar eccentric stud .....           | 1            |
| 32.         | 35850F   | Bushing, for looper shaft, rear .....                | 1            |
| 33.         | 36256B   | Looper Thread Guide Wire .....                       | 1            |
| 34.         | 22849    | Screw, for looper thread guide wire .....            | 1            |
| 35.         | 22894W   | Screw, for cylinder hinged spring support stud ..... | 1            |
| 36.         | 22791E   | Screw Pin .....                                      | 1            |
| 37.         | 660-1117 | Oil Seal .....                                       | 2            |



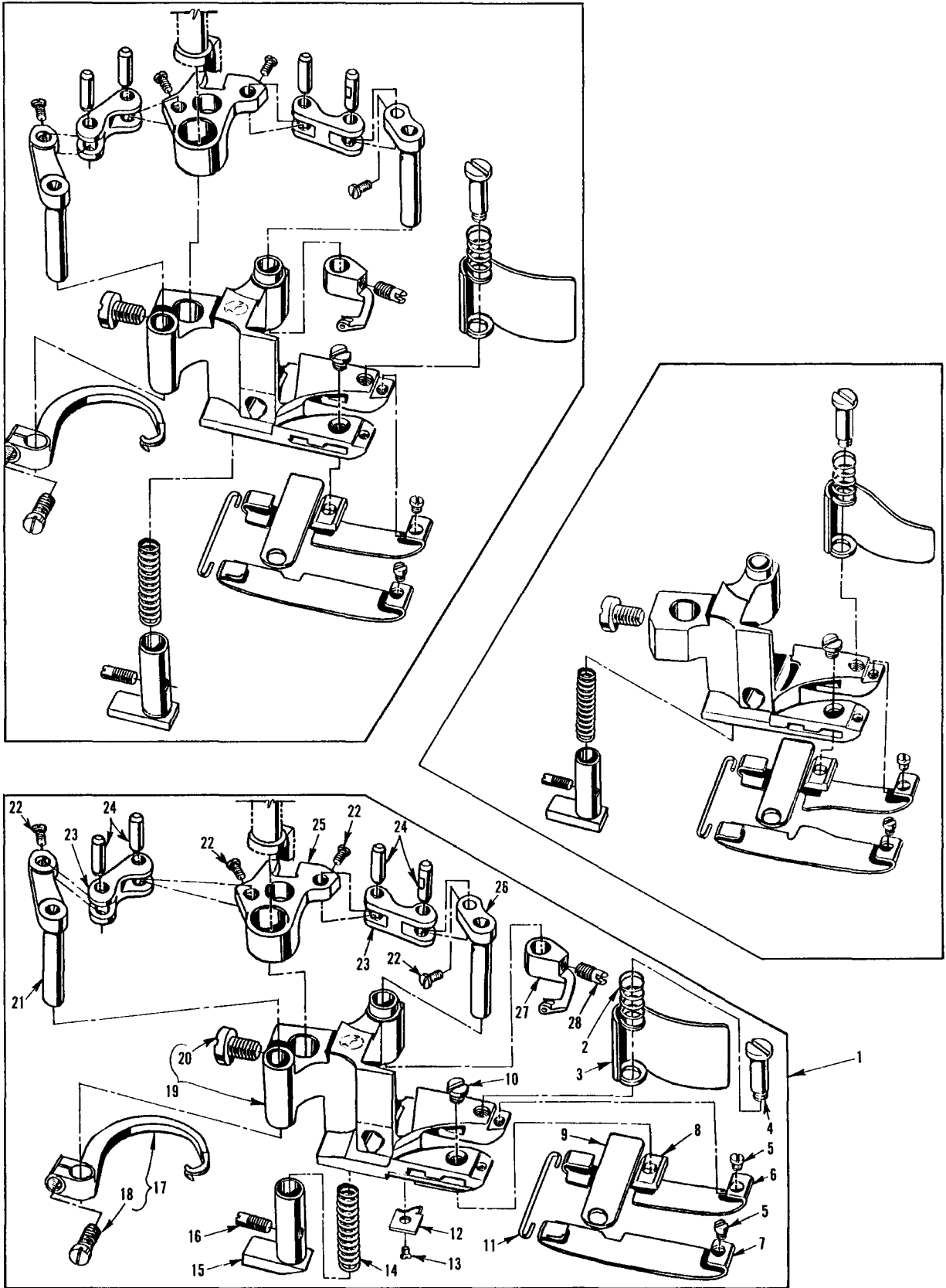


**PRESSERFEET**

| Ref. No. | Part No. | Description  | Amt. Req. |
|----------|----------|--|-----------|
| 1.       | 36220A   | Presser Foot, complete, for Styles 36200UA52, UAE52 .....      | 1         |
| -        | 36220K   | Presser Foot, complete, for Styles 36200UJ60, UJE60 .....      | 1         |
| -        | 36220L   | Presser Foot, complete, for Style 36200UAK52 .....             | 1         |
| 2.       | 22731    | Screw, for chip guard .....                                    | 1         |
| 3.       | 36279D   | Spring, for chip guard .....                                   | 1         |
| 4.       | 36279C   | Chip Guard .....   | 1         |
| 5.       | 36251E   | Cover Thread Carrier, for 36220 A, L presser foot .....        | 1         |
| -        | 36251W   | Cover Thread Carrier, for 36220 K presser foot .....           | 1         |
| 6.       | 22565A   | Screw, cover thread carrier .....                              | 1         |
| 7.       | 150      | Screw, for stationary knife clamp .....                        | 1         |
| 8.       | 36250    | Stationary Knife .....   | 1         |
| *9.      | 36250B   | Stationary Knife Clamp, .213" (5.41mm) ID Mark "A" .....       | 1         |
| *-       | 36250G   | Stationary Knife Clamp, .222" (5.64mm) ID Mark "B" .....       | 1         |
| *-       | 36250J   | Stationary Knife Clamp, .226" (5.74mm) ID Mark "J" .....       | 1         |
| 10.      | 22738G   | Screw, for presser foot shoe .....                             | 2         |
| #11.     | 36232AY  | Presser Foot Shoe, right, for 36220 A, K, L presser foot ..... | 1         |
| #12.     | 36231AY  | Presser Foot Shoe, left, for 36220 A, K, L presser foot .....  | 1         |
| 13.      | 36230D   | Shoe Holding Wire .....  | 1         |
| 14.      | 36230J   | Yielding Section, for 36220 A, K presser foot .....            | 1         |
| -        | 36230P   | Yielding Section, for 36220 L presser foot .....               | 1         |
| 15.      | 22565A   | Screw, for yielding section .....                              | 1         |
| 16.      | 36230C   | Spring, for yielding section .....                             | 1         |
| 17.      | 36251F   | Cover Thread Hook, for 36220 A, L presser foot .....           | 1         |
| -        | 36251FA  | Cover Thread Hook, for 36220 K presser foot .....              | 1         |
| 18.      | 22562A   | Screw, for cross thread hook .....                             | 1         |
| 19.      | 36230U   | Presser Foot Base, for 36220 A, K, L presser foot .....        | 1         |
| 20.      | 94       | Screw, for presser foot base .....                             | 1         |
| 21.      | 36251H   | Cover Thread Hook Driving Lever and Shaft .....                | 1         |
| 22.      | 22738P   | Screw .....  | 4         |
| 23.      | 36251J   | Link, for ref. no. 21, 25 and 26 .....                         | 2         |
| 24.      | 36251K   | Link Pin .....   | 4         |
| 25.      | 36251L   | Cover Thread Carrier and Hook Driving Segment .....            | 1         |
| 26.      | 36251G   | Cover Thread Carrier Driving Lever and Shaft .....             | 1         |
| 27.      | 36220B   | Presser Foot, complete, for Styles 36200UX52, UX60 .....       | 1         |
| 28.      | 22731    | Screw, for chip guard .....                                    | 1         |
| 29.      | 36279D   | Spring, for chip guard .....                                   | 1         |
| 30.      | 36279H   | Chip Guard .....   | 1         |
| 31.      | 150      | Screw, for stationary knife clamp .....                        | 1         |
| 32.      | 36250    | Stationary Knife .....   | 1         |
| *33.     | 36250B   | Stationary Knife Clamp, .213" (5.41mm) ID Mark "A" .....       | 1         |
| *-       | 36250G   | Stationary Knife Clamp, .222" (5.64mm) ID Mark "B" .....       | 1         |
| *-       | 36250J   | Stationary Knife Clamp, .226" (5.74mm) ID Mark "J" .....       | 1         |
| 34.      | 22738G   | Screw, for presser foot shoe .....                             | 2         |
| #35.     | 36232BA  | Presser Foot Shoe, right, for 36220 B presser foot .....       | 1         |
| #36.     | 36231BA  | Presser Foot Shoe, left, for 36220 B presser foot .....        | 1         |
| 37.      | 36230D   | Shoe Holding Wire .....  | 1         |
| 38.      | 36230J   | Yielding Section .....   | 1         |
| 39.      | 22565A   | Screw, for yielding section .....                              | 1         |
| 40.      | 36230C   | Spring, for yielding section .....                             | 1         |
| 41.      | 36230G   | Presser Foot Base, for 36220 B presser foot .....              | 1         |
| 42.      | 94       | Screw, for presser foot base .....                             | 1         |

\* When replacing the stationary knife clamp, order the clamp that has the same I. D. mark as the one being replaced.

#See page 50-51 for other presser foot shoes available.

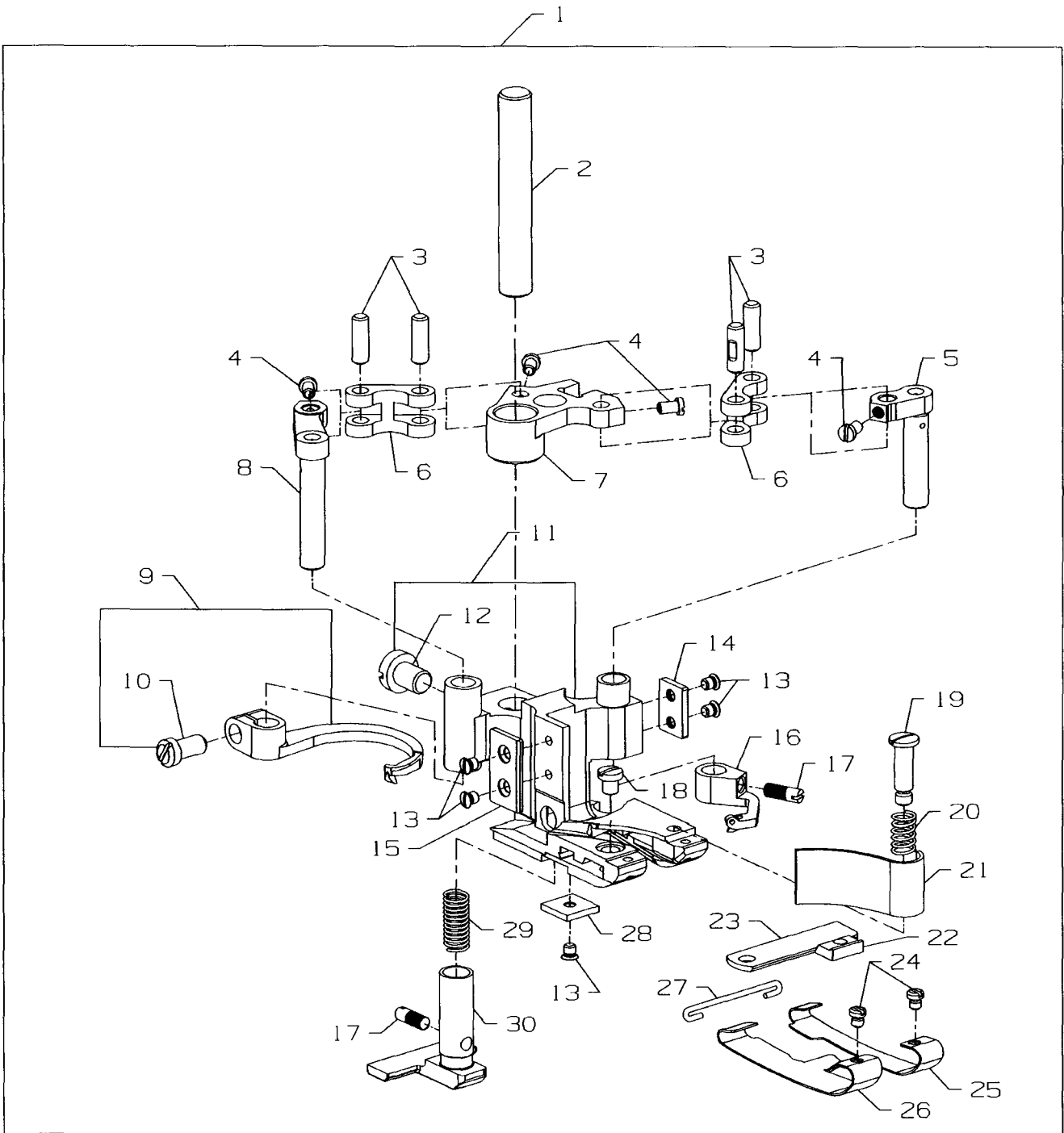


**PRESSERFEET**

| Ref.<br>No. | Part No. | Description   | Amt.<br>Req. |
|-------------|----------|---|--------------|
| 1.          | 36220E   | Presser Foot, complete, for Style 36200UAE52, UE52 .....                | 1            |
| -           | 36220H   | Presser Foot, complete, for Style 36200UH52 .....                       | 1            |
| -           | 36220M   | Presser Foot, complete, for Style 36200UM60 .....                       | 1            |
| -           | 36220W   | Presser Foot, complete, for Style 36200UE60, UJE60 .....                | 1            |
| 2.          | 36279D   | Spring, for chip guard .....  | 1            |
| 3.          | 36279C   | Chip Guard .....  | 1            |
| 4.          | 22731    | Screw, for chip guard .....   | 1            |
| 5.          | 22738G   | Screw, for presser foot shoe .....                                      | 2            |
| #6.         | 36232AM  | Presser Foot Shoe, right, for Style 36220 H presser foot .....          | 1            |
| #-          | 36232AP  | Presser Foot Shoe, right, for Style 36220 M presser foot .....          | 1            |
| #-          | 36232AW  | Presser Foot Shoe, right, for Style 36220 E, 36220 W presser foot ..... | 1            |
| #7.         | 36231AM  | Presser Foot Shoe, left, for Style 36220 H presser foot .....           |              |
| #-          | 36231AP  | Presser Foot Shoe, left, for Style 36220 M presser foot .....           | 1            |
| #-          | 36231AW  | Presser Foot Shoe, left, for Style 36220E, 36220 W presser foot .....   | 1            |
| *8.         | 36250B   | Stationary Knife Clamp, .213" (5.41mm) ID Mark "A" .....                | 1            |
| *-          | 36250G   | Stationary Knife Clamp, .222" (5.64mm) ID Mark "B" .....                | 1            |
| *-          | 36250J   | Stationary Knife Clamp, .226" (5.74mm) ID Mark "J" .....                | 1            |
| 9.          | 36250    | Stationary Knife .....  | 1            |
| 10.         | 150      | Screw, for stationary knife clamp .....                                 | 1            |
| 11.         | 36230D   | Shoe Holding Wire .....   | 1            |
| 12.         | 36230R   | Cloth Guide Plate .....   | 1            |
| 13.         | 22716A   | Screw, for cloth guide plate .....                                      | 1            |
| 14.         | 36230C   | Spring, for yielding section .....                                      | 1            |
| 15.         | 36230P   | Yielding Section .....  | 1            |
| 16.         | 22565A   | Screw, for yielding section .....                                       | 1            |
| 17.         | 36251F   | Cover Thread Hook, for 36220H and 36220E presser foot .....             | 1            |
| -           | 36251FA  | Cover Thread Hook, for 36220M, 36220 W presser foot .....               | 1            |
| 18.         | 22562A   | Screw, for cross thread hook .....                                      | 1            |
| 19.         | 36230S   | Presser Foot Base, for 36220 H presser foot .....                       | 1            |
| -           | 36230V   | Presser Foot Base, for 36220 M presser foot .....                       | 1            |
| -           | 36230M   | Presser Foot Base, for 36220 E, 36220 W presser foot .....              | 1            |
| 20.         | 94       | Screw, for presser foot base .....                                      | 1            |
| 21.         | 36251H   | Cover Thread Hook Driving Lever and Shaft .....                         | 1            |
| 22.         | 22738P   | Screw .....   | 4            |
| 23.         | 36251J   | Link, for ref. no. 21, 25 and 26 .....                                  | 2            |
| 24.         | 36251K   | Link Pin .....  | 4            |
| 25.         | 36251L   | Cover Thread Carrier and Hook Driving Segment .....                     | 1            |
| 26.         | 36251G   | Cover Thread Carrier Driving Lever and Shaft .....                      | 1            |
| 27.         | 36251E   | Cover Thread Carrier, for 36220H and 36220E presser foot .....          | 1            |
| -           | 36251W   | Cover Thread Carrier, for 36220M, 36220 W presser foot .....            | 1            |
| 28.         | 22565A   | Screw, for cover thread carrier .....                                   | 1            |

\* When replacing the stationary knife clamp, order the clamp that has the same I. D. mark as the one being replaced.

#See page 50-51 for other presser foot shoes available.



## PRESSERFOOT

| Ref.<br>No. | Part No. | Description  | Amt.<br>Req. |
|-------------|----------|--|--------------|
| 1.          | 36220X   | Presser Foot, complete, for Style 36200UY52 .....        | 1            |
| -           | 36220Y   | Presser Foot, complete, for Style 36200UY60 .....        | 1            |
| 2.          | 22-331   | Pin .....  | 1            |
| 3.          | 36251K   | Link Pin, for 5, 6 and 8 .....                           | 4            |
| 4.          | 22738P   | Screw .....  | 4            |
| 5.          | 36251G   | Cross Thread Lever .....                                 | 1            |
| 6.          | 36251J   | Driving Lever Link .....                                 | 2            |
| 7.          | 36251L   | Driving Segment .....                                    | 1            |
| 8.          | 36251H   | Cross Thread Hook Lever .....                            | 1            |
| 9.          | 36251F   | Cross Thread Hook, For 36200UY52 .....                   | 1            |
| -           | 36251FA  | Cross Thread Hook, For 36200UY60 .....                   | 1            |
| 10.         | 22562A   | Screw .....  | 1            |
| 11.         | 36230AN  | Presser Foot .....                                       | 1            |
| 12.         | 94       | Screw .....  | 1            |
| 13.         | 22716A   | Screw .....  | 5            |
| 14.         | 36230AP  | Plate, Right .....                                       | 1            |
| 15.         | 36230AH  | Plate, Left .....  | 1            |
| 16.         | 36251E   | Cover Thread Carrier, For 36200UY52 .....                | 1            |
| -           | 36251W   | Cover Thread Carrier, For 36200UY60 .....                | 1            |
| 17.         | 22565A   | Screw .....  | 2            |
| 18.         | 150      | Screw .....  | 1            |
| 19.         | 22731    | Screw .....  | 1            |
| 20.         | 36279D   | Spring, Chip Guard .....                                 | 1            |
| 21.         | 36279C   | Chip Guard .....   | 1            |
| 22.         | 36250K   | Stationary Knife Clamp, .213" (5.14mm) ID Mark "D" ..... | 1            |
| -           | 36250M   | Stationary Knife Clamp, .222" (5.64mm) ID Mark "F" ..... | 1            |
| -           | 36250L   | Stationary Knife Clamp, .226" (5.74mm) ID Mark "E" ..... | 1            |
| 23.         | 36250    | Stationary Knife .....                                   | 1            |
| 24.         | 22738G   | Screw .....  | 1            |
| #25.        | 36232BD  | Presser Foot Shoe, Right .....                           | 1            |
| #26.        | 36231BD  | Presser Foot Shoe, Left .....                            | 1            |
| 27.         | 36230D   | Shoe Holding Wire .....                                  | 1            |
| 28.         | 36230AQ  | Cloth Guide Block .....                                  | 1            |
| 29.         | 36230AJ  | Spring, Yielding Section .....                           | 1            |
| 30.         | 36230AL  | Yielding Section .....                                   | 1            |

#See page 50-51 for other presser foot shoes available.

## PRESSER FOOT SHOE CHART

| STANDARD PRESSER FEET |        |
|-----------------------|--------|
| 1                     | 36220  |
| 2                     | 36220A |
| 3                     | 36220B |
| 4                     | 36220E |
| 5                     | 36220H |
| 6                     | 36220J |
| 7                     | 36220K |
| 8                     | 36220L |
| 9                     | 36220M |
| 10                    | 36220W |
| 11                    | 36220X |
| 12                    | 36220Y |

### SELECTING THE PROPER PRESSER FOOT SHOES

**THICKNESS OF SHOES**

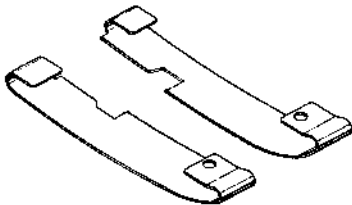
- .014 THICK**      Used when sewing lightweight material, when light presser foot pressure is essential.
- .020 THICK**      Used when sewing medium to heavyweight material, requiring more foot pressure.

**WIDTH OF SHOES**

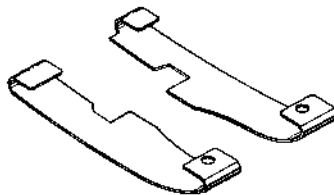
- NARROW SHOES**      Used for medium to heavier material.
- WIDE SHOES**      Used for light weight material.

**LENGTH OF SHOE TOE**

- SHORT TOE**      Adapts easily to a variety of operations and material.
- EXTENDED TOE**      Gives more feeding surface to the front of the presser foot, and may allow the operator to start the seam without raising the presser foot.



**LONG SHOE**

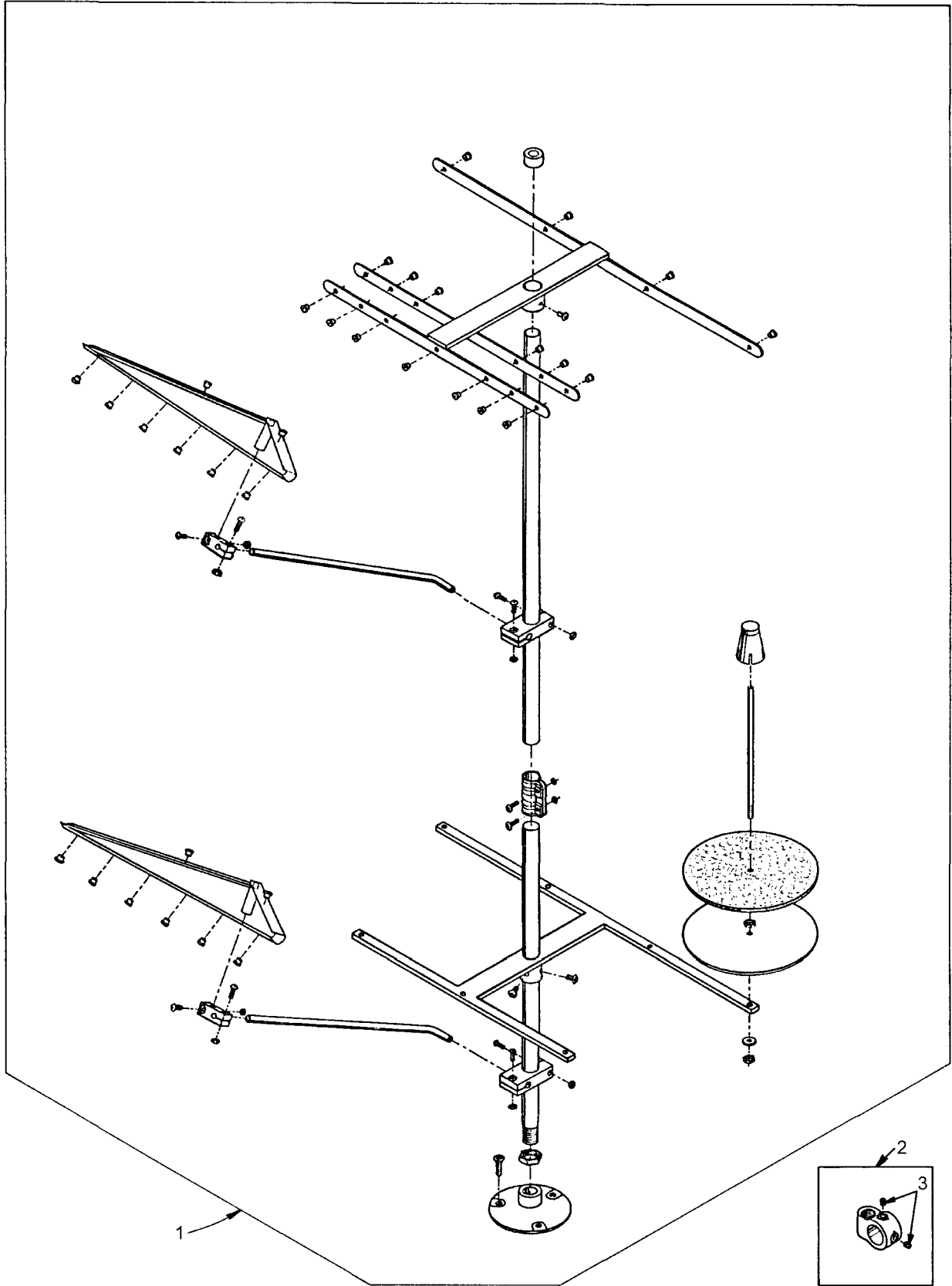


**SHORT SHOE**

| PRESSER FOOT SHOE | RIGHT | LEFT | MATERIAL THICKNESS |      |
|-------------------|-------|------|--------------------|------|
|                   |       |      | .014               | .020 |
| 36231AD           |       | ○    |                    | ○    |
| 36232AD           | ○     |      |                    | ○    |
| 36231AE           |       | ○    |                    | ○    |
| 36232AE           | ○     |      |                    | ○    |
| 36231AF           |       | ○    |                    | ○    |
| 36232AF           | ○     |      |                    | ○    |
| 36231AG           |       | ○    |                    | ○    |
| 36232AG           | ○     |      |                    | ○    |
| 36231AH           |       | ○    |                    | ○    |
| 36232AH           | ○     |      |                    | ○    |
| 36231AJ           |       | ○    |                    | ○    |
| 36232AJ           | ○     |      |                    | ○    |
| 36231AK           |       | ○    |                    | ○    |
| 36232AK           | ○     |      |                    | ○    |
| 36231AL           |       | ○    |                    | ○    |
| 36232AL           | ○     |      |                    | ○    |
| 36231AM           |       | ○    |                    | ○    |
| 36232AM           | ○     |      |                    | ○    |
| 36231AP           |       | ○    |                    | ○    |
| 36232AP           | ○     |      |                    | ○    |
| 36231AW           |       | ○    | ○                  |      |
| 36232AW           | ○     |      | ○                  |      |
| 36231AY           |       | ○    | ○                  |      |
| 36232AY           | ○     |      | ○                  |      |
| 36231AZ           |       | ○    | ○                  |      |
| 36232AZ           | ○     |      | ○                  |      |
| 36231BA           |       | ○    | ○                  |      |
| 36232BA           | ○     |      | ○                  |      |
| 36231BB           |       | ○    | ○                  |      |
| 36232BB           |       |      |                    |      |
| 36232BD           |       | ○    | ○                  |      |
| 36232BD           | ○     |      | ○                  |      |

## PRESSER FOOT SHOE CHART

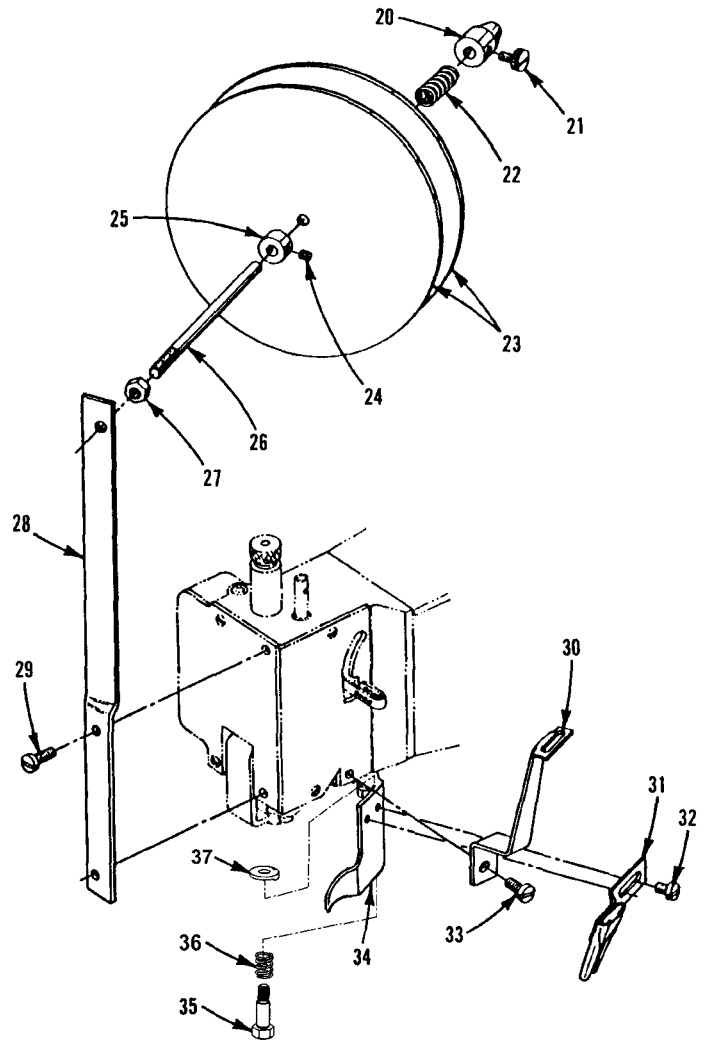
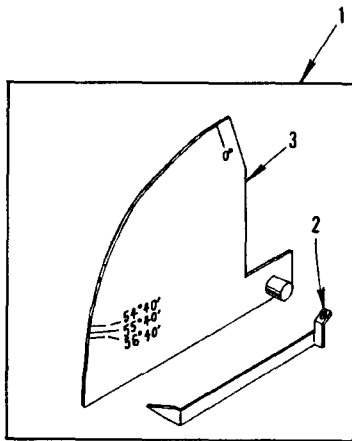
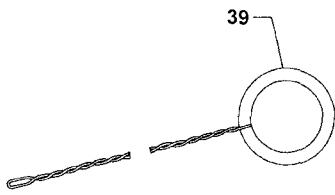
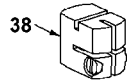
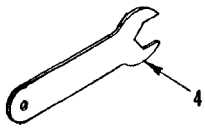
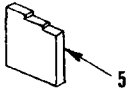
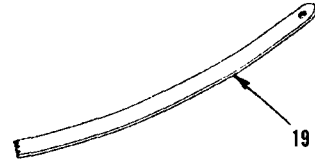
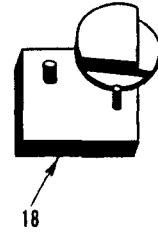
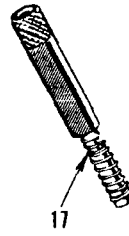
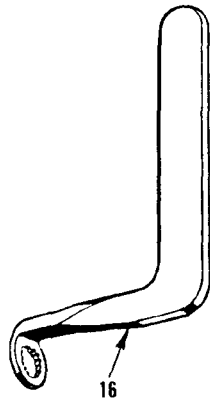
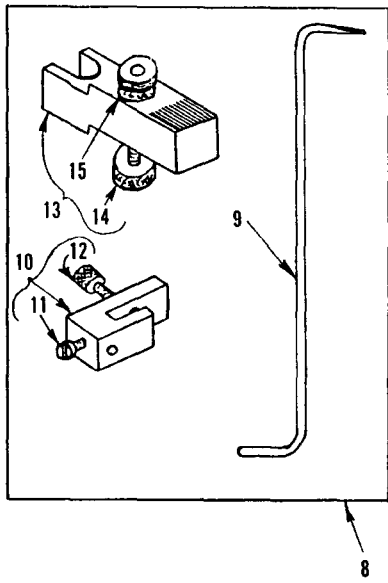
| SHORT TOE | EXTENDED TOE | SHOE WIDTH     | STANDARD ON PRESSER FOOT  | CAN ALSO BE USED ON | FURNISHED ON MACH. STYLE                          | SAME AS |
|-----------|--------------|----------------|---------------------------|---------------------|---|---------|
|           | O            | 3/8            | NONE                      | 1*2*3*6*7*8         | NONE  |         |
|           | O            | 11/32          |                           |                     |   |         |
| O         |              | 13/32 (10.3mm) | NONE                      | 2*3*7*8             | NONE  | 36231BB |
| O         |              | 3/8 (8.8mm)    |                           |                     |   | 36232BB |
|           | O            | 13/32 (10.3mm) | NONE                      | 1*2*3*6*7*8         | NONE  |         |
|           | O            | 3/8 (9.5mm)    |                           |                     |   |         |
| O         |              | 13/32 (10.3mm) | NONE                      | 1*2*3*6*7*8         | NONE  |         |
| O         |              | 3/8 (9.5mm)    |                           |                     |   |         |
| O         |              | 11/32 (8.7mm)  | NONE                      | 1*3*6*8             | NONE  | 36231AY |
| O         |              | 11/32 (8.7mm)  |                           |                     |   | 36232AY |
|           | O            | 11/32 (8.7mm)  | NONE                      | 1*2*3*6*7*8         | NONE  | 36231AZ |
|           | O            | 11/32 (8.7mm)  |                           |                     |   | 36232AZ |
|           | O            | 1/2 (12.7mm)   | NONE                      | 5*9                 | NONE  | 36231AW |
|           | O            | 9/32 (7.1mm)   |                           |                     |   | 36232AW |
| O         |              | 13/32 (10.3mm) | NONE                      | 1*2*6*7*8           | NONE  | 36231BA |
| O         |              | 3/8 (9.5mm)    |                           |                     |   | 36232BA |
|           | O            | 1/2 (12.7mm)   | 36220H                    | 4*9*10              | 36200UH52   |         |
|           | O            | 5/16 (7.9mm)   |                           |                     |   |         |
|           | O            | 1/2 (12.7mm)   | 36220M                    | 4*5*10              | 36200UM60   |         |
|           | O            | 9/32 (7.1mm)   |                           |                     |   |         |
|           | O            | 1/2 (12.7mm)   | 36220E<br>36220W          | 4*5*9               | 36200JAE52<br>36200UE52<br>36200UE60<br>36200JE60 | 36231AK |
|           | O            | 9/32 (7.1mm)   |                           |                     |   | 36232AK |
| O         |              | 11/32 (8.7mm)  | 36220A, 36220K,<br>36220L | 1*2*3*6*7           | 36200UA52<br>36200UAK52<br>36200UJ60              | 36231AH |
| O         |              | 11/32 (8.7mm)  |                           |                     |   | 36232AH |
|           | O            | 11/32 (8.7mm)  | NONE                      | 1*2*3*6*7*8         | 36200UAK52  | 36231AJ |
|           | O            | 11/32 (8.7mm)  |                           |                     |   | 36232AJ |
| O         |              | 13/32 (10.3mm) | 36220B                    | 1*2*6*7*8           | 36200UX52<br>36200UX60                            | 36231AL |
| O         |              | 3/8 (9.5mm)    |                           |                     |   | 36232AL |
| O         |              | 13/32 (10.3mm) | 36220<br>36220J           | 2*3*7*8             | NONE  | 36231AE |
| O         |              | 3/8 (9.5mm)    |                           |                     |   | 36232AE |
| O         |              | 35/64 (14.1mm) | 36220X<br>36220Y          |                     | 36200UY52<br>36200UY60                            |         |
| O         |              | 1/4 (6.35mm)   |                           |                     |   |         |





## THREAD STAND

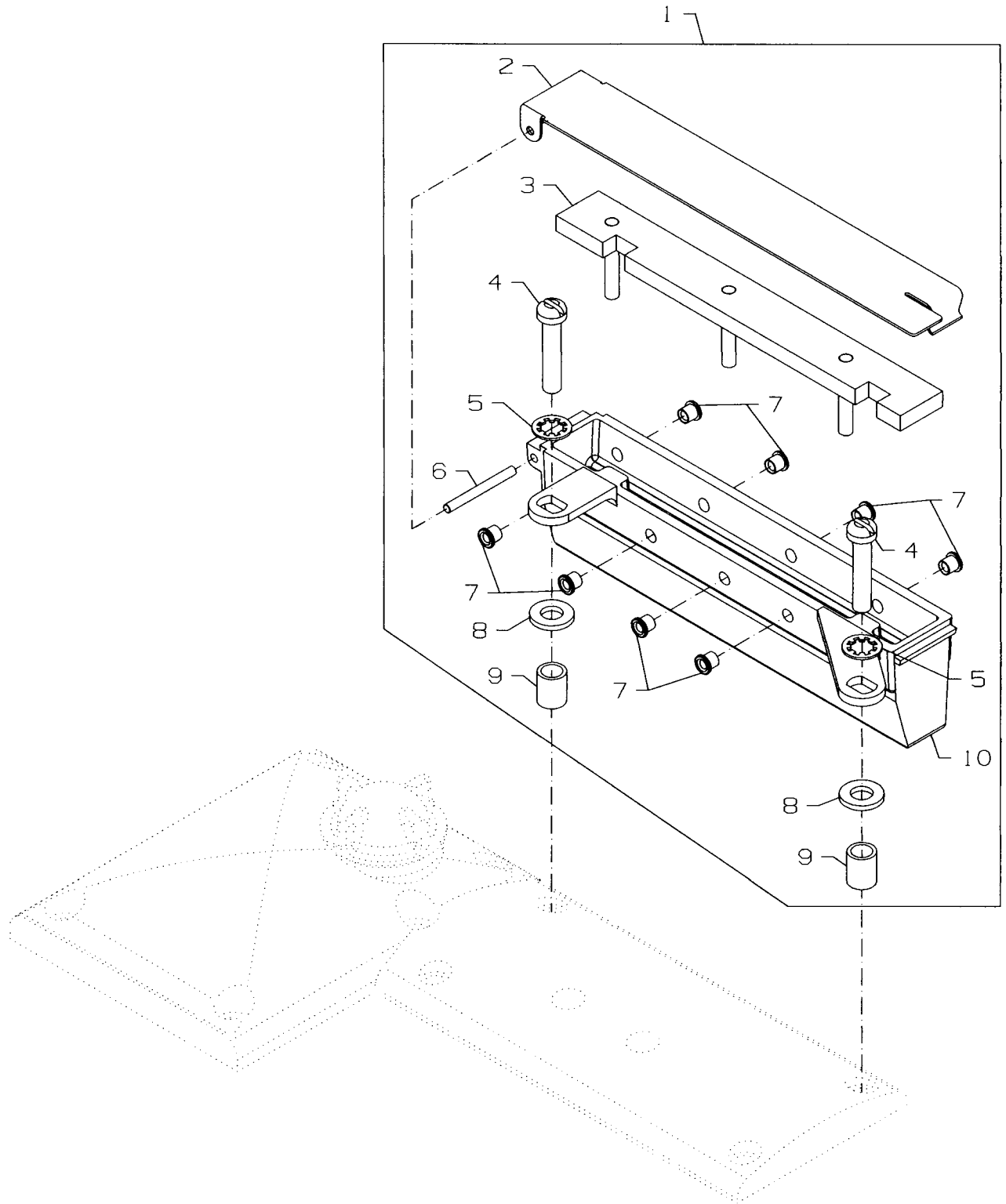
| Ref.<br>No. | Part No.  | Description   | Amt.<br>Req. |
|-------------|-----------|---|--------------|
| 1.          | 21101-S-7 | Thread Stand, complete .....                                | 1            |
| 2.          | 21233AJ   | Bracket Connection, marked "AJ", for Style 36200UAK52 ..... | 1            |
| -           | 21233KS   | Bracket Connection, marked "KS", for all other Styles ..... | 1            |
| 3.          | 22651CD-5 | Screw, for bracket connection (21233AJ) .....               | 4            |
| -           | 22651CD-5 | Screw, for bracket connection (21233KS) .....               | 2            |



## MISCELLANEOUS GAUGES & TAPE REEL PARTS

| Ref.<br>No. | Part No.    | Description  | Amt.<br>Req. |
|-------------|-------------|--|--------------|
| 1.          | 21227CN     | Looper Travel Gauge, complete .....                                    | 1            |
| 2.          | 21227CM     | Looper Travel Gauge Pointer .....                                      | 1            |
| 3.          | 21227CS     | Looper Travel Gauge Plate .....  | 1            |
| 4.          | 21388AZ     | Wrench, for driving link stud .....                                    | 1            |
| 5.          | 21227BU     | Needle Height Gauge, for all Styles except 36200UJ60, UM60, UY60 ..... | 1            |
| -           | 21227DS     | Needle Height Gauge, for Styles 36200UJ60, UM60, UY60 .....            | 1            |
| 6.          | 21225F-3/16 | Looper Gauge .....   | 1            |
| 7.          | 21388Y      | Spanner Wrench .....   | 1            |
| 8.          | 21227CG     | Synchronizing Gauge, for looper and needle timing, complete .....      | 1            |
| 9.          | 21227CK     | Synchronizing Gauge Rod .....  | 1            |
| 10.         | 21227CJ     | Looper Clamp and Height Gauge .....                                    | 1            |
| 11.         | 22738       | Screw .....  | 1            |
| 12.         | 22703A      | Screw .....  | 1            |
| 13.         | 21227CH     | Needle Setting Block .....   | 1            |
| 14.         | 14087       | Thumbscrew .....   | 1            |
| 15.         | 1347A       | Nut .....  | 1            |
| 16.         | TT85        | Wrench, for 3/16" square nut on screw .....                            | 1            |
| 17.         | 21227BV     | Looper Avoid Gauge .....   | 1            |
| 18.         | 21227CV     | Cover Thread Hook Gauge .....  | 1            |
| *19.        | 23279D      | Folder Threader .....  | 1            |
| *20.        | 753         | Adjustable Axle Cone .....   | 1            |
| *21.        | 188D        | Screw, for adjustable axle cone .....                                  | 1            |
| *22.        | 51292F-8    | Spring, for tape holder disc .....                                     | 1            |
| *23.        | 21178       | Tape Holder Disc .....   | 2            |
| *24.        | 88          | Screw, for collar .....  | 1            |
| *25.        | 161         | Collar .....   | 1            |
| *26.        | 21114W      | Tape Reel Axle .....   | 1            |
| *27.        | 258A        | Nut, for tape reel axle .....  | 1            |
| *28.        | 21171Z      | Tape Reel Frame .....  | 1            |
| *29.        | 22729A      | Screw, for tape reel frame .....                                       | 2            |
| *30.        | 21171AA     | Tape Guide .....   | 1            |
| *31.        | 23401P-7/16 | Tape Folder .....  | 1            |
| *32.        | 357         | Screw, for tape folder .....   | 2            |
| *33.        | 28          | Screw, for tape guide .....  | 1            |
| *34.        | 36279E      | Frame Chip Guard .....   | 1            |
| *35.        | 22777B      | Screw, for Frame Chip Guard .....                                      | 1            |
| *36.        | 36279B      | Spring, for Frame Chip Guard .....                                     | 1            |
| *37.        | 36279A      | Washer, for Frame Chip Guard .....                                     | 1            |
| 38.         | 21227AR     | Torque Rod, for Needle Head .....                                      | 1            |
| 39.         | 39899A      | Threading Wire .....   | 1            |

\*Indicates tape holder parts for Styles 36200UX52, UX60



## THREADLUBRICATOR

| Ref.<br>No. | Part No.  | Description                             | Amt.<br>Req. |
|-------------|-----------|---|--------------|
| 1.          | 29480AZY  | Needle Thread Lubricator Complete ..... | 1            |
| 2.          | 35893J    | Reservoir Cover .....                   | 1            |
| 3.          | 666-339   | Reservoir Wick .....                    | 1            |
| 4.          | 22826     | Screw .....                             | 2            |
| 5.          | 660-342   | Washer .....                            | 2            |
| 6.          | 660-219AX | Pin .....                               | 1            |
| 7.          | 50358M    | Eyelet .....                            | 8            |
| 8.          | 8372A     | Washer .....                            | 2            |
| 9.          | 35874W    | Spacer .....                            | 2            |
| 10.         | 35893K    | Reservoir .....                         | 1            |
| -           | 28604W    | Bottle of Silicone (not shown) .....    | 1            |

## NUMERICAL INDEX OF PARTS

| Part No.    | Page No.   | Part No.  | Page No.   | Part No.    | Page No. | Part No. | Page No. | Part No. | Page No. |
|-------------|------------|-----------|------------|-------------|----------|----------|----------|----------|----------|
| 109         | 31         | 22565A    | 51, 53     | 22799N      | 41       | 35792    | 31       | 36205J   | 37       |
| 1096        | 27         | 22569B    | 23         | 22801       | 27, 45   | 35792T   | 31       | 36205N   | 37       |
| 1096B       | 41, 43     | 22569D    | 25         | 22826       | 61       | 35815C   | 29       | 36208A   | 43       |
| 11550209    | 27         | 22569G    | 41         | 22829       | 25       | 35817E   | 33       | 36210    | 43       |
| 12538       | 35         | 22571A    | 45         | 22839       | 23       | 35836C   | 39       | 36218    | 35       |
| 12865       | 43         | 22571B    | 27         | 22839D      | 31       | 35842J   | 39       | 36218J   | 35       |
| 12934A      | 23, 41     | 22572B    | 43         | 22845M      | 37       | 35846    | 39       | 36220A   | 49       |
| 1347A       | 59         | 22574     | 29         | 22849       | 45, 47   | 35846B   | 39       | 36220B   | 49       |
| 14087       | 59         | 22578H    | 37         | 22881A      | 33       | 35847X   | 29       | 36220E   | 51       |
| 150         | 49, 51, 53 | 22580     | 27         | 22894AM     | 27       | 35850F   | 47       | 36220H   | 51       |
| 15037A      | 43         | 22585     | 41         | 22894AM     | 29       | 35851L   | 43       | 36220K   | 49       |
| 161         | 59         | 22585A    | 27         | 22894BK     | 31       | 35851P   | 39       | 36220L   | 49       |
| 18          | 37, 39     | 22585A    | 31, 43     | 22894E      | 29       | 35851S   | 39       | 36220M   | 51       |
| 18          | 41, 43     | 22585B    | 35         | 22894J      | 27, 31   | 35859D   | 33       | 36220W   | 51       |
| 188D        | 59         | 22585C    | 31, 35     | 22894K      | 27       | 35859J   | 33       | 36220X   | 53       |
| 21101-S-7   | 57         | 22585C    | 45         | 22894W      | 27       | 35860D   | 25       | 36220Y   | 53       |
| 21114W      | 59         | 22587B    | 29         | 22894W      | 29, 37   | 35862A   | 29       | 36221D   | 29       |
| 21171AA     | 59         | 22587E    | 27, 37     | 22894W      | 39, 47   | 35866    | 39       | 36221K   | 29       |
| 21171Z      | 59         | 22587E    | 39         | 22894X      | 41       | 35866A   | 25       | 36222A   | 29       |
| 21178       | 59         | 22587H    | 37         | 22KH        | 23, 45   | 35866B   | 25       | 36222C   | 27       |
| 21225F-3/16 | 59         | 22596     | 45, 47     | 23279D      | 59       | 35874W   | 61       | 36223    | 27       |
| 21227AR     | 59         | 22596B    | 29         | 23401P-7/16 | 59       | 35876U   | 45       | 36223A   | 27       |
| 21227BU     | 59         | 22651CD-5 | 57         | 23420DB     | 45       | 35880M   | 31       | 36224H   | 45       |
| 21227BV     | 59         | 22652A-6  | 43         | 23420DH     | 45       | 35883AL  | 25       | 36224K   | 45       |
| 21227CG     | 59         | 22653B-8  | 35         | 23423X      | 45       | 35883G   | 47       | 36225    | 37       |
| 21227CH     | 59         | 22653E-24 | 45         | 23424Z      | 45       | 35884K   | 45       | 36225A   | 37       |
| 21227CJ     | 59         | 22703A    | 59         | 255         | 31       | 35884R   | 47       | 36226A   | 37       |
| 21227CK     | 59         | 22711     | 23         | 258         | 39       | 35887AE  | 23       | 36226B   | 37       |
| 21227CM     | 59         | 22716A    | 45, 51     | 258A        | 31, 43   | 35887AF  | 25       | 36226H   | 37       |
| 21227CN     | 59         | 22716A    | 53         | 258A        | 59       | 35887AG  | 23       | 36226J   | 37       |
| 21227CS     | 59         | 22729A    | 59         | 269         | 37, 39   | 35887M   | 23       | 36226K   | 37       |
| 21227CV     | 59         | 22729C    | 37, 39     | 269         | 41, 43   | 35887R   | 23       | 36229A-1 | 45       |
| 21227DS     | 59         | 22729C    | 41, 43     | 28          | 33, 59   | 35887X   | 23       | 36229B   | 33       |
| 21233AJ     | 57         | 22729M    | 41         | 28604W      | 61       | 35887Z   | 25       | 36229F   | 33       |
| 21233KS     | 57         | 22731     | 49, 51, 53 | 28A         | 33       | 35888N   | 23       | 36230AH  | 53       |
| 21388AZ     | 59         | 22733B    | 25         | 28C         | 25, 35   | 35888T   | 23       | 36230AJ  | 53       |
| 21388Y      | 59         | 22733G    | 39         | 29101J      | 27, 39   | 35889H   | 23       | 36230AL  | 53       |
| 21756G      | 27         | 22738     | 59         | 29103T      | 27, 37   | 35890E   | 25       | 36230AN  | 53       |
| 22-331      | 53         | 22738B    | 45         | 29105BH     | 25       | 35890P   | 23       | 36230AP  | 53       |
| 22504C      | 39         | 22738C    | 33         | 29472AC     | 27       | 35893G   | 23       | 36230AQ  | 53       |
| 22513       | 33         | 22738G    | 49, 51     | 29472Y      | 27       | 35893H   | 23       | 36230C   | 49, 51   |
| 22516A      | 23         | 22738G    | 53         | 29476XC     | 23       | 35893J   | 61       | 36230D   | 49       |
| 22517       | 31         | 22738H    | 35         | 29476YN     | 35       | 35893K   | 61       | 36230D   | 51, 53   |
| 22519       | 31         | 22738P    | 49, 51     | 29476YP     | 35       | 35894J   | 27       | 36230G   | 49       |
| 22519F      | 27         | 22738P    | 53         | 29478CS     | 37       | 35894L   | 27       | 36230J   | 49       |
| 22524       | 33, 35     | 22747     | 37, 43     | 29478CT     | 39       | 35895X   | 27       | 36230M   | 51       |
| 22528       | 37         | 22758E    | 35         | 29478CU     | 43       | 35895Y   | 27, 29   | 36230P   | 49, 51   |
| 22539AA     | 23         | 22759A    | 23         | 29478CZ     | 47       | 35896D   | 35       | 36230R   | 51       |
| 22539AL     | 47         | 22766     | 29, 47     | 29480AZY    | 61       | 35897BU  | 27       | 36230S   | 51       |
| 22539M      | 23         | 22767A    | 41         | 318         | 35       | 35897BV  | 27       | 36230U   | 49       |
| 22539T      | 25         | 22768B    | 25         | 33174B      | 37       | 35897BW  | 27       | 36230V   | 51       |
| 22560A      | 35, 47     | 22777B    | 33, 59     | 357         | 59       | 35897BY  | 29       | 36231AM  | 51       |
| 22562A      | 29, 45     | 22784F    | 31         | 35751G      | 43       | 35897CK  | 35       | 36231AP  | 51       |
| 22562A      | 49, 51     | 22791D    | 25         | 35761D      | 25       | 36203    | 45       | 36231AW  | 51       |
| 22562A      | 53         | 22791E    | 47         | 35763F      | 29       | 36204    | 23       | 36231AY  | 49       |
| 22564       | 29         | 22795B    | 43         | 35763G      | 29       | 36204A   | 23       | 36231BA  | 49       |
| 22564B      | 23, 25     | 22797     | 29         | 35766B      | 39       | 36205A   | 37       | 36231BD  | 53       |
| 22564D      | 43         | 22798     | 45         | 35767       | 33       | 36205B   | 37       | 36232AM  | 51       |
| 22565A      | 27, 49     | 22799B    | 25         | 35781D      | 25       | 36205H   | 37       | 36232AP  | 51       |

## NUMERICAL INDEX OF PARTS

| Part No. | Page No. | Part No. | Page No. | Part No. | Page No. | Part No.  | Page No. | Part No.    | Page No.   |
|----------|----------|----------|----------|----------|----------|-----------|----------|-------------|------------|
| 36232AW  | 51       | 36251J   | 49       | 36279C   | 51, 53   | 36294C    | 33       | 660-220     | 37, 47     |
| 36232AY  | 49       | 36251K   | 51, 53   | 36279D   | 49       | 36296A    | 45       | 660-221     | 43         |
| 36232BA  | 49       | 36251L   | 45, 49   | 36279E   | 51, 53   | 36296B    | 45       | 660-254C    | 31         |
| 36232BD  | 53       | 36251M   | 51, 53   | 36279F   | 59       | 36296C    | 35       | 660-261     | 33         |
| 36234C   | 37       | 36251N   | 49       | 36279G   | 49       | 36297J    | 27       | 660-342     | 61         |
| 36234E   | 37       | 36251O   | 51, 53   | 36279H   | 33       | 36297M    | 27       | 660-935     | 23         |
| 36234F   | 37       | 36251P   | 29       | 36279I   | 33       | 36298G    | 31       | 661-150     | 47         |
| 36234G   | 37       | 36251Q   | 29       | 36279J   | 33       | 36298H    | 31       | 664F-16     | 35         |
| 36234M   | 37       | 36251R   | 41       | 36279K   | 31       | 36G       | 41       | 666-338     | 27         |
| 36236    | 39       | 36251S   | 41       | 36280A   | 31       | 39145A    | 43       | 666-339     | 61         |
| 36236A   | 39       | 36251T   | 41       | 36280C   | 31       | 39592AK   | 31       | 666-340A    | 35         |
| 36236B   | 39       | 36251U   | 49       | 36280D   | 31       | 39593C    | 23       | 666-341     | 45         |
| 36236C   | 39       | 36251V   | 51, 53   | 36280E   | 33       | 39899A    | 59       | 667D-16     | 45         |
| 36236E   | 37       | 36251W   | 43       | 36280F   | 31       | 40-107    | 45       | 671B3       | 27         |
| 36236F   | 37       | 36251X   | 43       | 36280G   | 31       | 41071G    | 23, 27   | 73A         | 23, 25, 45 |
| 36236G   | 37       | 36251Y   | 43       | 36280H   | 31       | 41255B    | 37, 43   | 73C         | 23         |
| 36236H   | 37, 39   | 36251Z   | 23       | 36280I   | 31       | 43246     | 39       | 753         | 59         |
| 36236J   | 39       | 36252A   | 23       | 36280J   | 31       | 4761      | 41, 43   | 77          | 29, 39, 43 |
| 36236K   | 39       | 36252B   | 47       | 36280K   | 31       | 50358M    | 61       | 8372A       | 33, 61     |
| 36237    | 39       | 36252C   | 25       | 36280L   | 47       | 50393-140 | 27       | 86          | 31         |
| 36237A   | 39       | 36252D   | 41       | 36280M   | 45       | 51054A    | 29       | 87A         | 47         |
| 36237E   | 47       | 36252E   | 27       | 36280N   | 45       | 51254K    | 29       | 87U         | 37         |
| 36237H   | 47       | 36252F   | 29       | 36280O   | 45       | 51259     | 33       | 88          | 43, 59     |
| 36237J   | 47       | 36252G   | 33       | 36280P   | 45       | 51292F-2  | 31       | 90          | 23, 27     |
| 36237K   | 47       | 36252H   | 29       | 36280Q   | 45       | 51292F-4  | 31       | 93          | 23         |
| 36237L   | 47       | 36252I   | 33       | 36280R   | 45       | 51292F-5  | 31       | 93A         | 23         |
| 36237M   | 35       | 36252J   | 33       | 36280S   | 45       | 51292F-8  | 59       | 94          | 31, 49     |
| 36238    | 47       | 36252K   | 33       | 36280T   | 47       | 52336     | 43       | 94          | 51, 53     |
| 36238F   | 47       | 36252L   | 31       | 36280U   | 35       | 52841H    | 41       | 97A         | 41, 43     |
| 36240    | 45       | 36252M   | 41       | 36280V   | 31       | 52848B    | 41       | 98A         | 45         |
| 36240J   | 45       | 36252N   | 25       | 36280W   | 31       | 52848C    | 41       | 9937        | 35         |
| 36244    | 37       | 36252O   | 25       | 36280X   | 31       | 52958C    | 23       | 999-196     | 47         |
| 36244A   | 37       | 36252P   | 25       | 36280Y   | 31       | 52958F    | 23       | B3319704L00 | 31         |
| 36245B   | 43       | 36252Q   | 25       | 36280Z   | 45       | 531       | 45, 47   | B3530555000 | 23         |
| 36248    | 43       | 36252R   | 41       | 36281A   | 45       | 53636C    | 43       | C36224A     | 45         |
| 36249    | 43       | 36252S   | 41       | 36281B   | 45       | 538       | 47       | C36224J     | 45         |
| 36249A   | 47       | 36252T   | 41       | 36281C   | 45       | 56354D    | 29       | C36224P     | 45         |
| 36249B   | 43       | 36252U   | 41       | 36281D   | 47       | 56390E    | 23       | C36224Q     | 45         |
| 36250    | 49, 51   | 36252V   | 41       | 36281E   | 47       | 60078Z    | 47       | C50092S     | 31         |
| 36250    | 53       | 36252W   | 41       | 36281F   | 47       | 604       | 43       | CL21        | 23, 25     |
| 36250B   | 49, 51   | 36252X   | 41       | 36281G   | 33       | 6042A     | 23       | CO67E       | 23         |
| 36250G   | 49, 51   | 36252Y   | 41       | 36281H   | 35       | 6042A     | 35, 39   | CQ00000000  | 35         |
| 36250J   | 49, 51   | 36252Z   | 33       | 36281I   | 33       | 605A      | 41       | CQ00000000  | 37         |
| 36250K   | 53       | 36253A   | 33       | 36281J   | 35       | 61321J    | 29       | J87J        | 47         |
| 36250L   | 53       | 36253B   | 33       | 36281K   | 25       | 61321L    | 29       | LA528       | 23         |
| 36250M   | 53       | 36253C   | 43       | 36281L   | 25       | 62238A    | 37, 39   | PS0200062KH | 35         |
| 36251B   | 41       | 36253D   | 43       | 36281M   | 25       | 62271B    | 25       | SS7090910TP | 31         |
| 36251C   | 41       | 36253E   | 35       | 36281N   | 23       | 660-1115  | 47       | SS7110510SP | 25         |
| 36251D   | 33       | 36253F   | 35, 41   | 36281O   | 35       | 660-1117  | 47       | SS7110840SP | 31         |
| 36251E   | 49       | 36253G   | 41       | 36281P   | 31       | 660-1130  | 35       | TT85        | 59         |
| 36251E   | 51, 53   | 36253H   | 33       | 36281Q   | 31       | 660-1131  | 35       | W56392F     | 31         |
| 36251F   | 49       | 36253I   | 35       | 36281R   | 31       | 660-202   | 29, 41   | WO3         | 35         |
| 36251F   | 51, 53   | 36253J   | 35       | 36281S   | 31       | 660-206   | 25       | WZ0641510KP | 35         |
| 36251FA  | 49       | 36253K   | 35       | 36281T   | 23       | 660-207   | 27, 39   |             |            |
| 36251FA  | 51, 53   | 36253L   | 33       | 36281U   | 23       | 660-212   | 23       |             |            |
| 36251G   | 49       | 36253M   | 33       | 36281V   | 47       | 660-215   | 43       |             |            |
| 36251G   | 51, 53   | 36253N   | 35       | 36281W   | 27       | 660-219AX | 61       |             |            |
| 36251H   | 49       | 36253O   | 35       | 36281X   | 27       | 660-219D  | 41       |             |            |
| 36251H   | 51, 53   | 36253P   | 35       | 36281Y   | 27       | 660-219P  | 27       |             |            |
|          |          | 36279C   | 49       | 36294B   | 35       |           |          |             |            |

Union Special Corporation  
Corporate Office  
One Union Special Plaza  
Huntley, IL 60142  
Phone: 847•669•5101  
Fax: 847•669•4454

Union Special GmbH  
European Distribution Center  
Raiffeisenstrasse 3  
D-71696 Möglingen, Germany  
Tel: 49•07141•247•0  
Fax: 49•07141•247•100

JUKICORPORATION  
INTERNATIONAL SALES DIVISION  
8-2-1, KOKURYO - CHO,  
CHOFU-SHI, TOKYO 182, JAPAN  
PHONE: 03(3430)4001~5  
FAX: 03(3430)4909 . 4914 . 4984



**JUKI**  
*Union Special*